

ACK4

Chain actuator
Thrust force 300 N
Adjustable stroke max.400 mm



PRODUCT DESCRIPTION

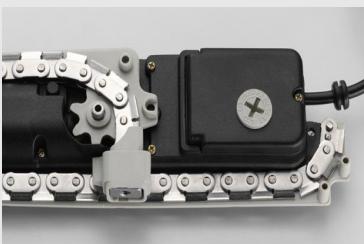
Electric actuator model ACK4 with a double link articulated stainless steel chain, enclosed in a special diecast aluminum casing, painted with epoxy powders, with different mounting accessories for top and bottom hung windows. Operation at 230V 50Hz. or, as an alternative, at 24V DC. Max. traction and thrust force 300N. End of stroke adjustable at 100, 150, 200, 250, 300, 350, 400 mm by an external knob located on both sides of the actuator. Electronic device with acoustic warning to signal erroneous installation (buzzer). Upon request, a preset "S" version for the synchronous operation of two actuators on the same window is available. High protection IP 55 rated. Available IP66 version (fixed stroke). CE marked device.



Easy stroke adjustment in 7 positions from 100 to 400mm. (International patent)



Double link articulated stainless steel chain.



High protection IP 55 rated (available special IP66 version).

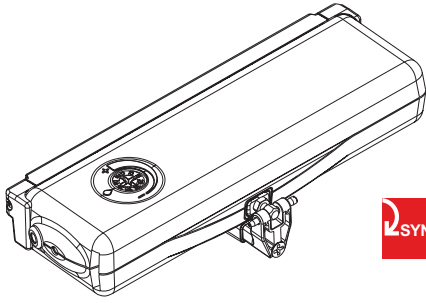


TECHNICAL SPECIFICATIONS

ACK4 230V

ACK4 24V

Power supply voltage	230V ~ 50Hz	24V d.c.
Maximum applicable load in thrust	300 N	300 N
Maximum applicable load in traction	300 N	300 N
Strokes	100 - 150 - 200 - 250 - 300 - 350 - 400 mm	
Absorbed current	0,32 A	1,35 A
Idle translation speed	27 mm/s	17 mm/s
Duration of the idle stroke	15 s	23 s
Double insulated	YES	-
Service Type	S2 of 2 min	S2 of 3 min
Operating temperature	- 5°C + 50°C	
Protection Class	IP 55 (available special IP66 version)	
Adjustment of the window frame connection	10 mm	10 mm
Adjustment of pins for the swivel brackets	YES	YES
Parallel connection option	with S version	with S version
Synchronous operation of 2 ACK4s on the same window	YES	YES
Chain position control	encoder	encoder
Acoustic warning for wrong installation (Buzzer)	YES	YES
Dimensions	288,5x83x47,8 mm	
Weight	1,9 kg	



ACK4 standard 1 push point

3A1#	ACK4 chain actuator 230V - black RAL 9005
3A1#	ACK4 chain actuator 230V - grey RAL 9006
3A1#	ACK4 chain actuator 230V - white Euro-White
3A1#	ACK4 chain actuator 24V - black RAL 9005
3A1#	ACK4 chain actuator 24V - grey RAL 9006
3A1#	ACK4 chain actuator 24V - white Euro-White



ACK4S synchronised for 2 push points on the same window frame

3A12#	ACK4S chain actuator 230V - black RAL 9005
3A12#	ACK4S chain actuator 230V - grey RAL 9006
3A12#	ACK4S chain actuator 230V - white Euro-White
3A12#	ACK4S chain actuator 24V - black RAL 9005
3A12#	ACK4S chain actuator 24V - grey RAL 9006
3A12#	ACK4S chain actuator 24V - white Euro-White



ACK4 IP66 version (fixed stroke) available upon request

Description of the standard pattern for 1 push point

3A1#	ACK4 chain actuator 230V
	Frontal bracket for top/bottom hung windows
	Upper bracket for bottom hung windows
	Hooking device to the frame and spare parts

Description of the standard pattern for 2 push points

3A12#	ACK4S chain actuator 230V - black
3A12#	ACK4S chain actuator 230V - black

Accessories and spare parts

3A1360	Frontal bracket for top/bottom hung windows - black
3A1362	Frontal bracket for top/bottom hung windows - silver
3A1361	Frontal bracket for top/bottom hung windows - white
3A1391	Large swivel brackets set frontal mounting - black
3A1393	Large swivel brackets set frontal mounting - silver
3A1392	Large swivel brackets set frontal mounting - white
3A1380	Fixed vertical mounting brackets set - black
3A1382	Fixed vertical mounting brackets set - silver
3A1381	Fixed vertical mounting brackets set - white
3A1396	Small vertical mounting brackets set - black
3A1398	Small vertical mounting brackets set - silver
3A1397	Small vertical mounting brackets set - white
3A1355	Upper bracket for bottom hung windows - black
3A1375	Single swivel bracket for bottom hung windows - black
3A1377	Single swivel bracket for bottom hung windows - silver
3A1376	Single swivel bracket for bottom hung windows - white
3A1001	Hooking device to the frame with pin and spare parts
0B0005	Extension pin h 37,5 (overlap 10-20mm)
0B0007	Extension pin h 47,5 (overlap 20-30mm)
0B0006	Extension pin h 57,5 (overlap 30-40mm)

