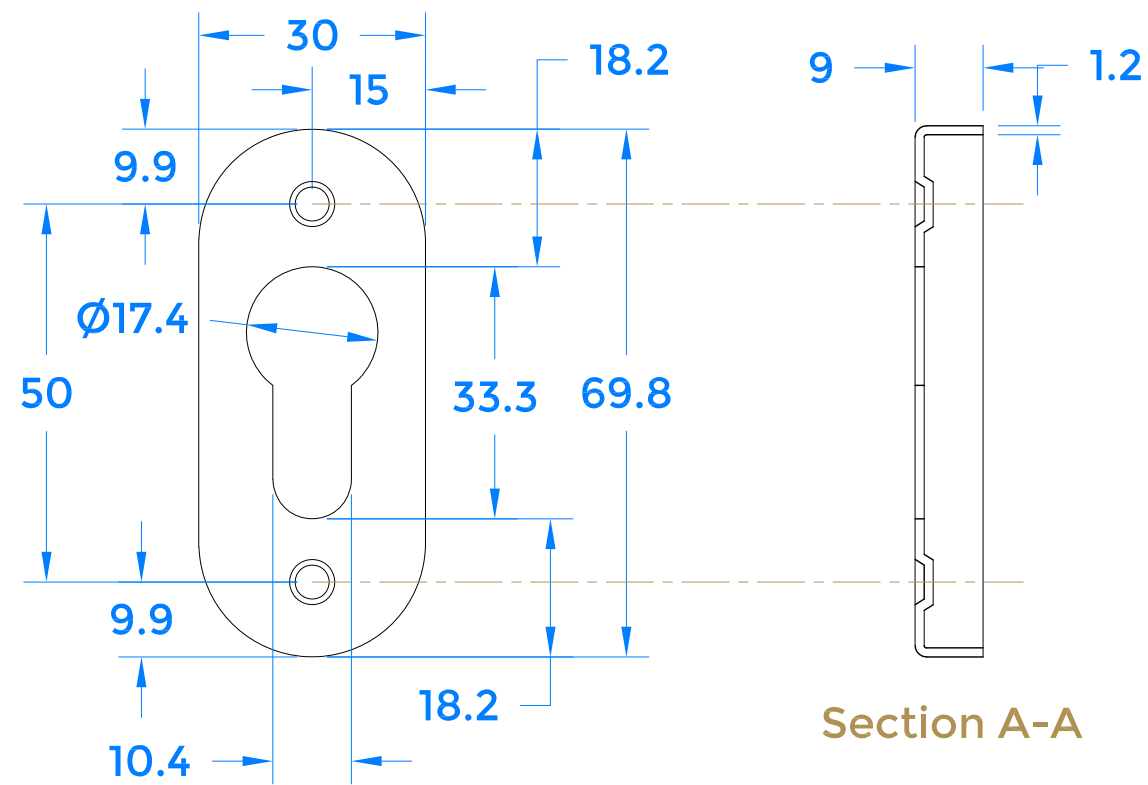
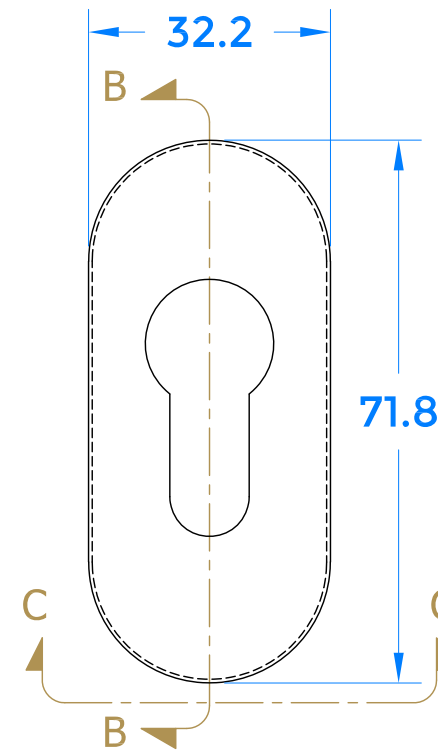


REVISION HISTORY		
Revision	Description	Date
A	Release	04/06/21



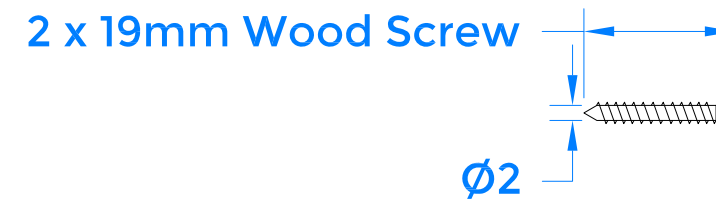
Section A-A



Section B-B



Logo Position
Section C-C



WHATS INCLUDED IN THE BOX	
QTY	DESCRIPTION
1	EXTERNAL COVER PLATE
1	INTERNAL FIXING PLATE
2	19mm WOOD SCREWS

coastal-group.com
Shaping the future

COASTAL

Part Number / Drawing Title:
**KM045B
Oval Escutcheon**

Product Range:
Door furniture

Material: **316 Stainless Steel**

Additional Info:

Date Drawn: **04/06/2021**

Drawn By: **Philip Walklett**

Part Number: **KM045B**

File Name: **KM045B-316.dwg**

Revision: **A**

Drawing Scale: **1:1 @ A3**

Sheet Number: **1 of 1**

THIRD ANGLE PROJECTION

This drawing and specification are the property of Coastal Specialist Ironmongery Ltd, they are issued in strict confidence and shall not be reproduced, copied or used without written permission.
E&OE - All dimensions are specified in mm.