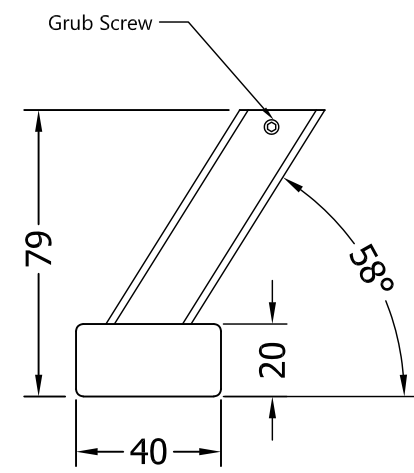
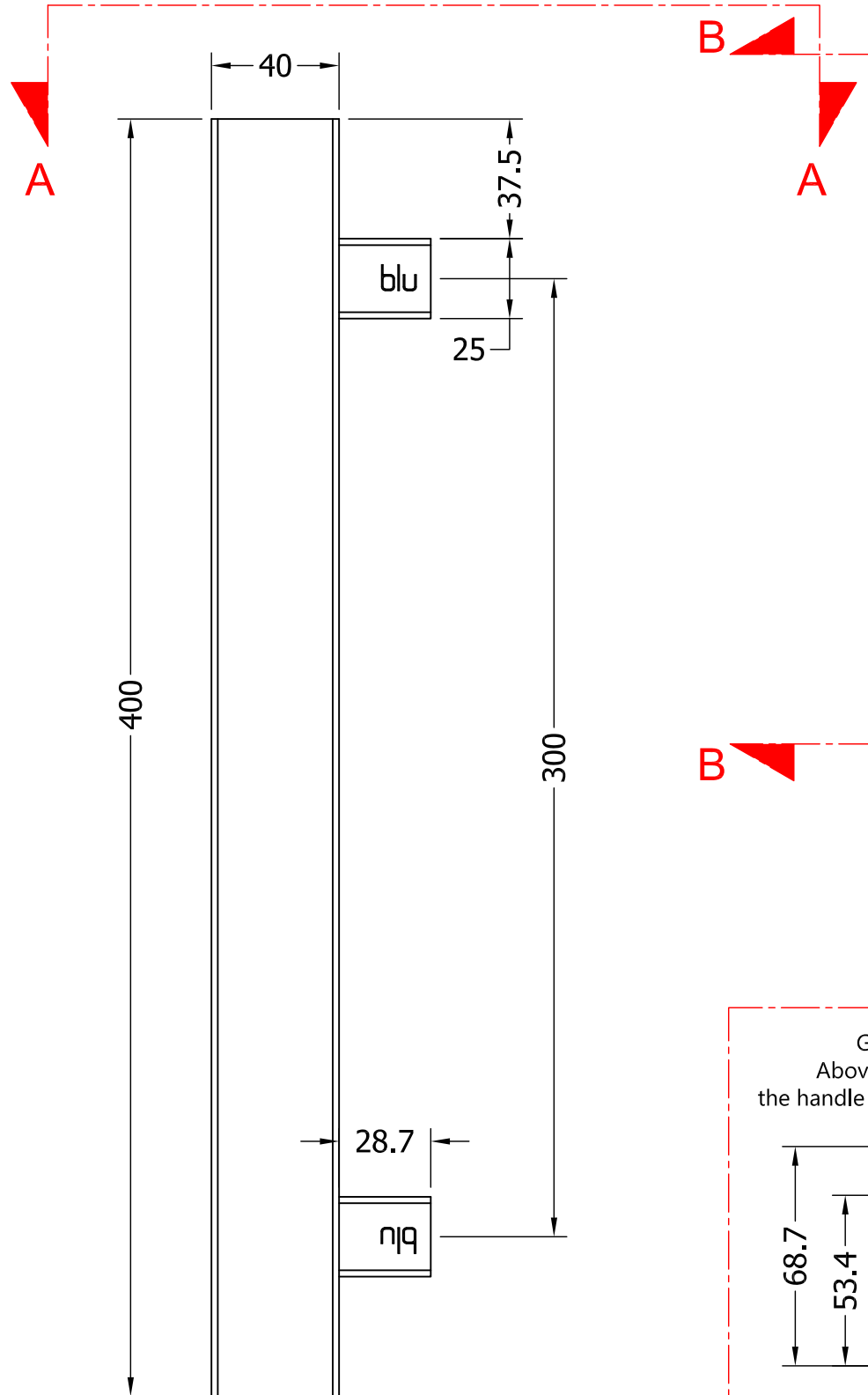
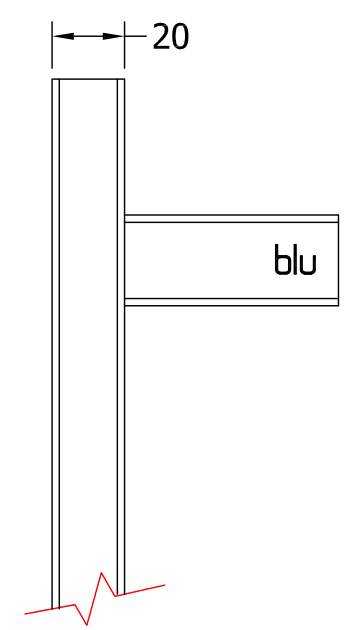


While every attempt has been made to ensure the accuracy and completeness of the information in this document some typographical or technical errors may exist. Blu Performance cannot accept responsibility for customers' losses resulting from the use of this document. Please also note that this drawing / design is subject to change without prior notice in accordance with our policy of continual product development. This drawing / design contains proprietary information that is protected by copyright and is property of Blu Performance. Blu Performance is at the leading edge in joinery hardware, customer care and quality are at the core of everything we do, you can be confident that a call to Blu will be the only call you need for all your joinery hardware needs.

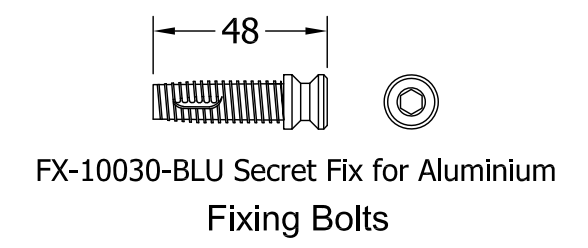
Revision History			
Revision	Description	Drawn By	Date
X	*** PRE RELEASE ***	PW	31/01/19



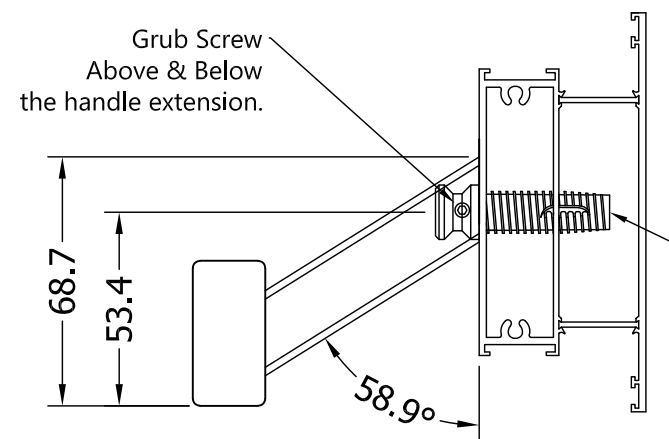
Section A-A



Section B-B

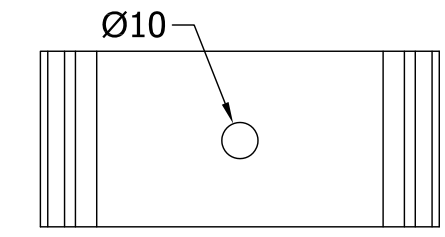


WHAT'S INCLUDED IN THE BOX	
QTY	DESCRIPTION
1	OFFSET SQUARE 'T' BAR PULL HANDLE
2	48mm FIXING BOLTS (FX-10030-BLU)
1	3mm GRUB SCREW ALLEN KEY



Assembled View (Secret Fix)

Do NOT drill this hole any larger than 11mm.



Fixing Grommet screws into the door, drill a 10mm hole into the door making sure the 6mm allen key hex side is facing out as this is what you use to tighten up the grommet.

6mm allen key is not provided.

blu Performance in Motion

Global House
Bojea Industrial Estate
Trethowel, St Austell
Cornwall, PL25 5RJ

t | 01726 871025 f | 01726 871731
e | sales@blu-performance.com
w | www.blu-performance.com

Customer Reference:	
blu Performance	
Drawing Title: 400mm Offset Square 'T' Bar Handle Secret Fixing - Aluminium Fixing	
Product Range / Project Reference HAB77-400-SA-SSS	
Other Information: Suits up to any thickness door.	
Date Drawn: 31/01/2019	
Drawn By: Phil Walklett	
Drawing Number: BP-HAB77-400-SA-SSS.dwg	Revision: X
THIRD ANGLE PROJECTION	This drawing and specification are the property of Coastal Group, they are issued in strict confidence and shall not be reproduced, copied or used without written permission.
Scale: NONE	Sheet: 1 of 1