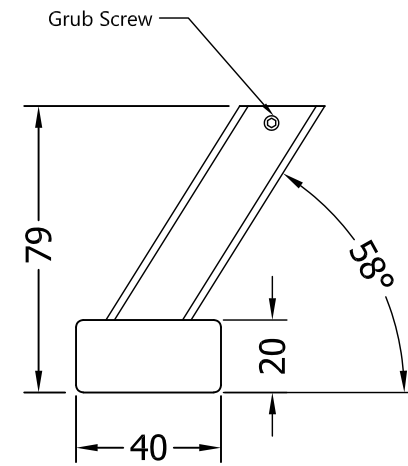
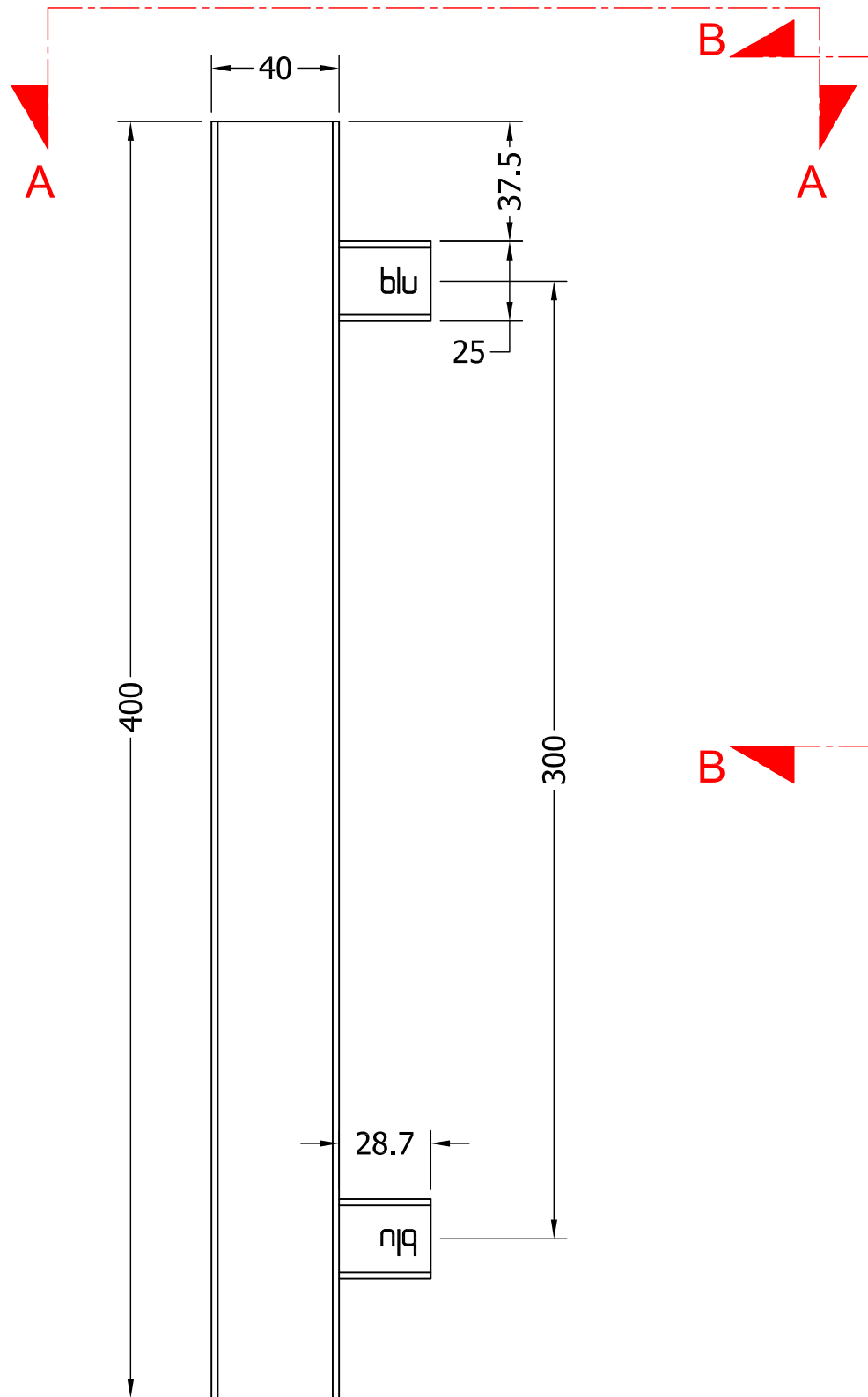


While every attempt has been made to ensure the accuracy and completeness of the information in this document some typographical or technical errors may exist. Blu Performance cannot accept responsibility for customers' losses resulting from the use of this document. Please also note that this drawing / design is subject to change without prior notice in accordance with policy of continual product development. This drawing / design contains proprietary information that is protected by copyright and is property of Blu Performance. Blu Performance is at the leading edge in joinery hardware, customer care and quality are at the core of everything we do, you can be confident that a call to Blu will be the only call you need for all your joinery hardware needs.

### Revision History

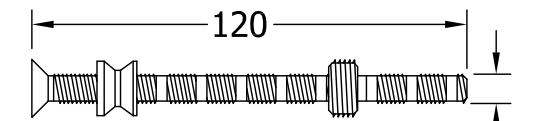
Revision	Description	Drawn By	Date
X	*** PRE RELEASE ***	PW	31/01/19



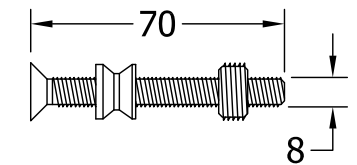
Section A-A



Section B-B



To suit up to 90mm thick doors. 8



To suit up to 44mm thick doors.

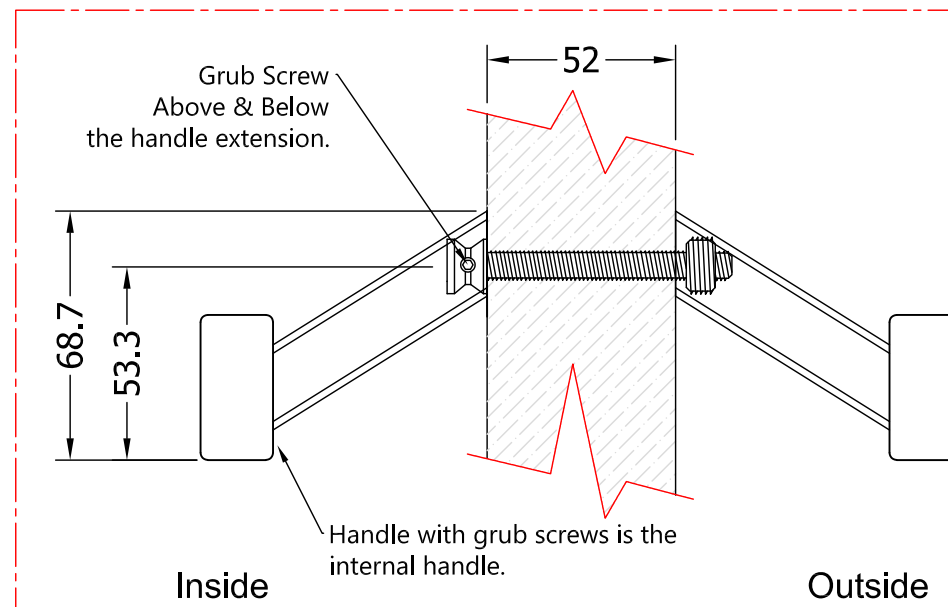
### FIXING BOLTS



1 x ALLEN KEY FOR GRUB SCREW

#### WHATS INCLUDED IN THE BOX

QTY	DESCRIPTION
1	INTERNAL OFFSET SQUARE T BAR PULL HANDLE
1	EXTERNAL OFFSET SQUARE T BAR PULL HANDLE
2	120mm FIXING BOLTS
2	70mm FIXING BOLTS
1	3mm GRUB SCREW ALLEN KEY



Assembled View (Back to Back)

**blu** Performance in Motion

Global House  
Bojea Industrial Estate  
Trehowel, St Austell  
Cornwall, PL25 5RJ

t | 01726 871025 f | 01726 871731  
e | sales@blu-performance.com  
w | www.blu-performance.com

Customer Reference:

**blu Performance**

Drawing Title:  
**400mm Offset Square 'T' Bar Handle  
Back to Back Fixing**

Product Range / Project Reference

**HAB77-400-BB-SSS**

Other Information: **Suits up to any thickness door.**

Date Drawn: 31/01/2019

Drawn By: **Phil Walklett**

Drawing Number:  
**BP-HAB77-400-BB-SSS.dwg**

Revision:  
**X**

THIRD ANGLE PROJECTION

This drawing and specification are the property of Coastal Group, they are issued in strict confidence and shall not be reproduced, copied or used without written permission.

Scale: **NONE**

Sheet: 1 of 1