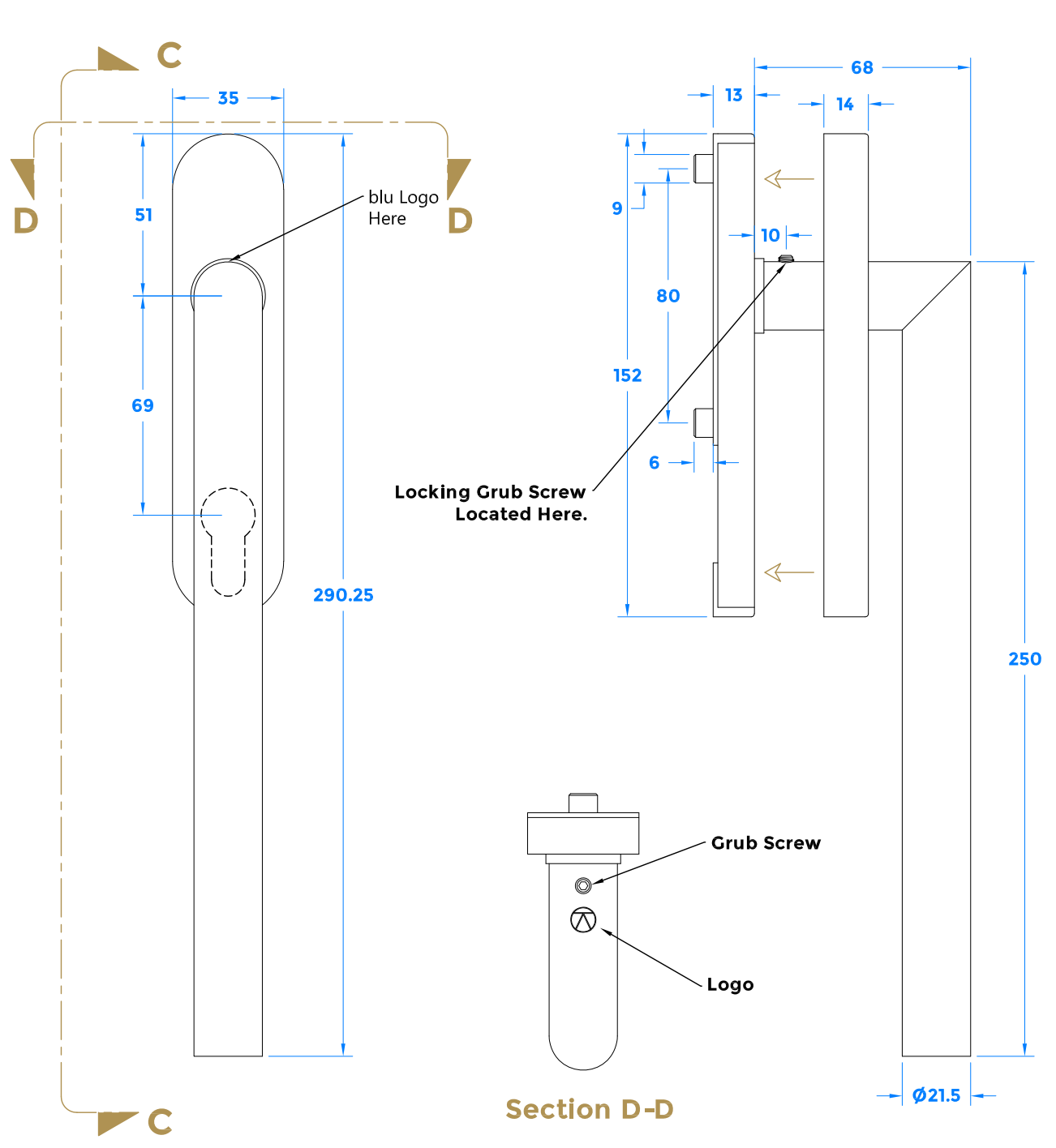
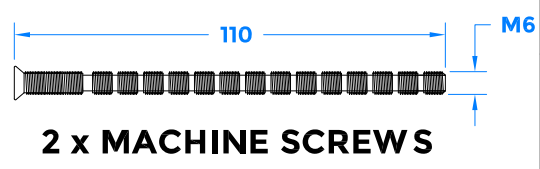
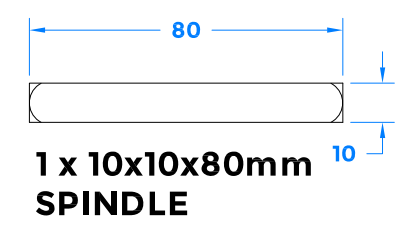
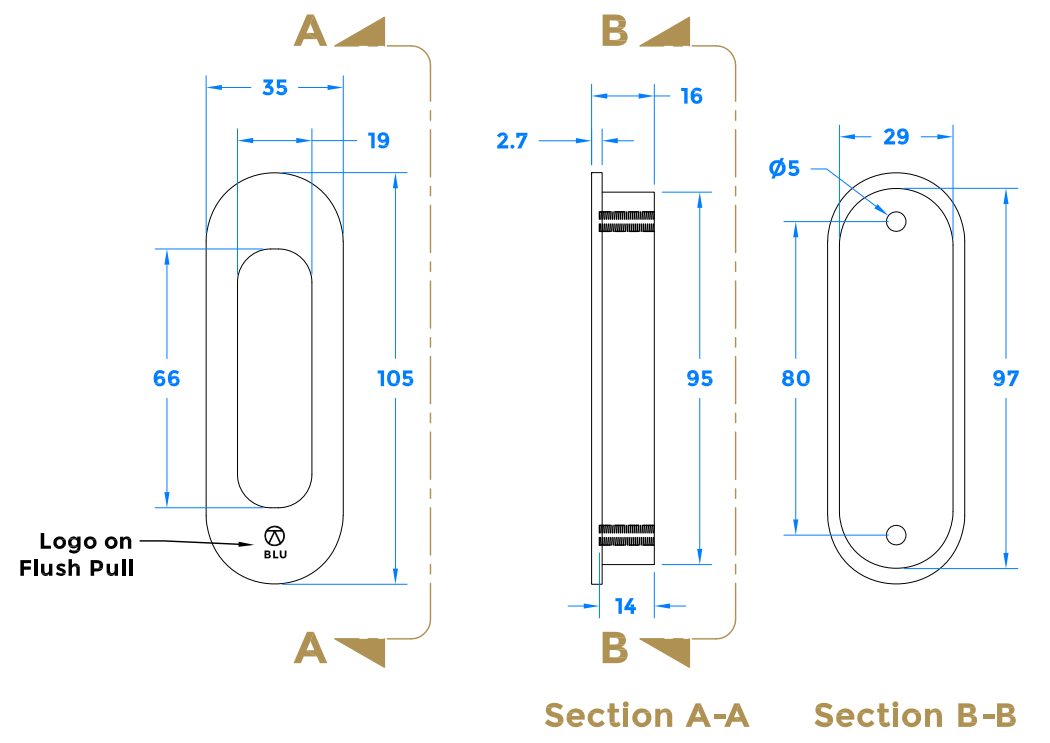


REVISION HISTORY		
Revision	Description	Date
A	Release	07/05/21
B	Altered bolt lengths from 70 to 110mm	16/11/2021

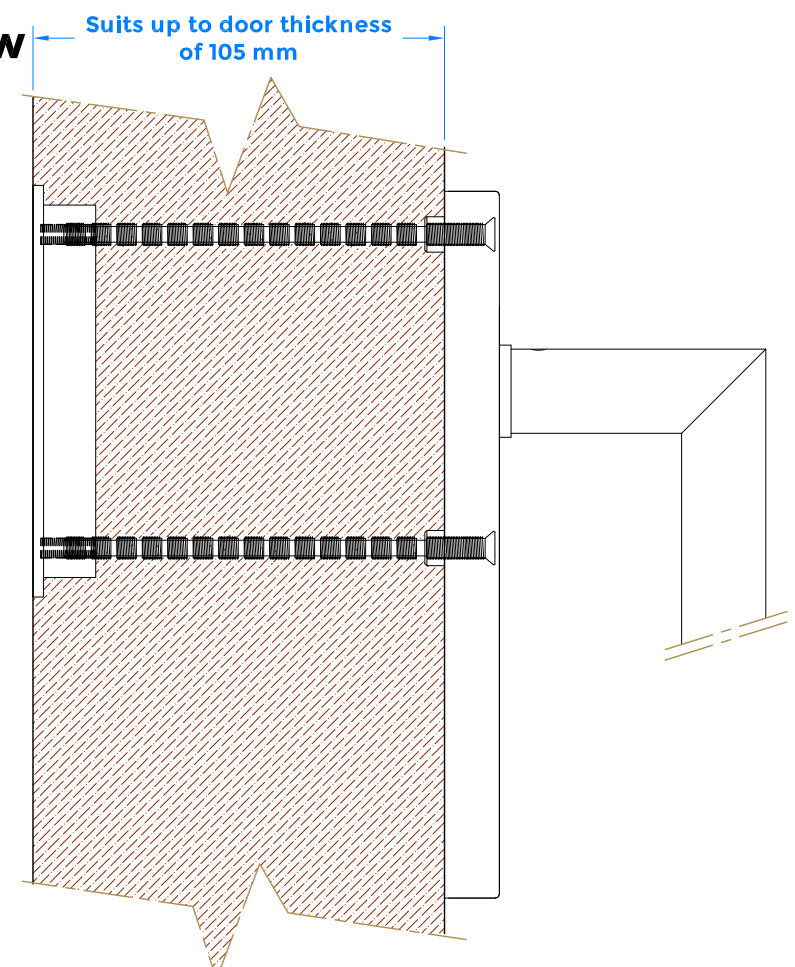
INTERNAL LEVER HANDLE



EXTERNAL FLUSH PULL



Assembled View



WHATS INCLUDED IN THE BOX	
QTY	DESCRIPTION
1	INTERNAL LEVER HANDLE
1	EXTERNAL FLUSH PULL
1	80 x 10mm SPINDLE
2	110mm M6 MACHINE SCREWS



coastal-group.com
Shaping the future

COASTAL

Part Number / Drawing Title:
KM750B
Lift & Slide Handle with Flush Pull

Product Range:
Door Handles

Material:	316 Stainless Steel
Additional Info:	Universal - Non Handed
Date Drawn:	12/01/2022
Drawn By:	Philip Walklett
Part Number:	KM750B-316-SSS
File Name:	KM750B-316-SSS.dwg
Revision:	B
Drawing Scale:	Not to Scale
Sheet Number:	1 of 1

THIRD ANGLE PROJECTION

This drawing and specification are the property of Coastal Specialist Ironmongery Ltd. they are issued in strict confidence and shall not be reproduced, copied or used without written permission. E&OE - All dimensions are specified in mm.