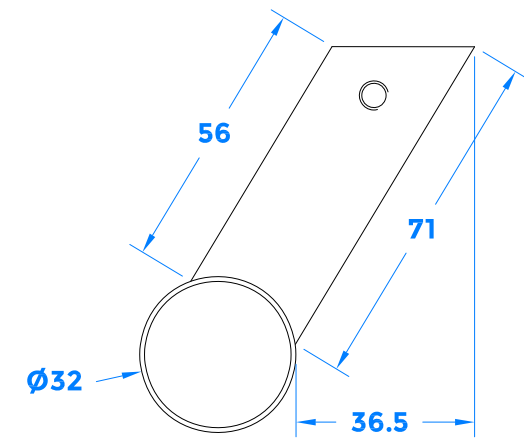
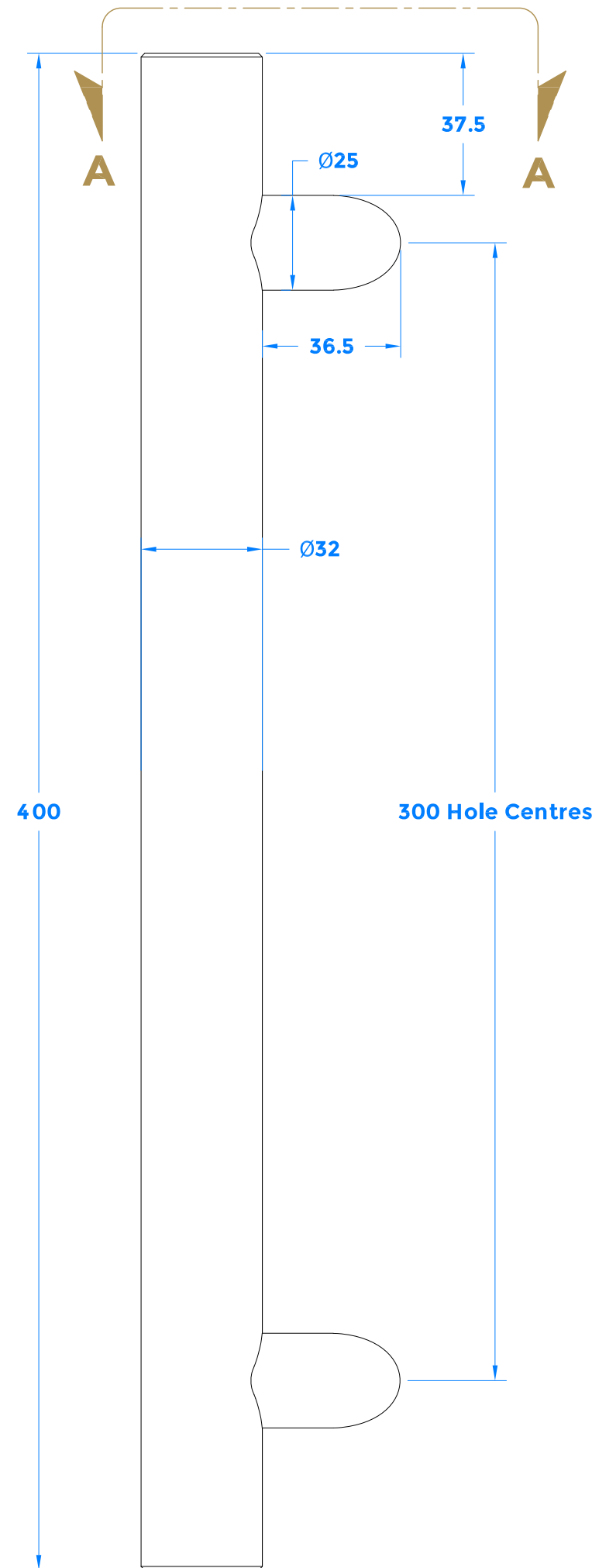
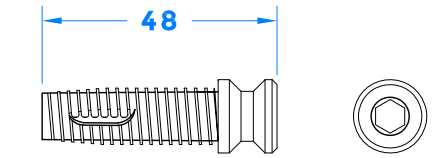


Drawing Revision History		
Revision	Description / Change	Date
A	Release	11/11/2021

Single Sided Secret Fix - For Aluminium Doors.



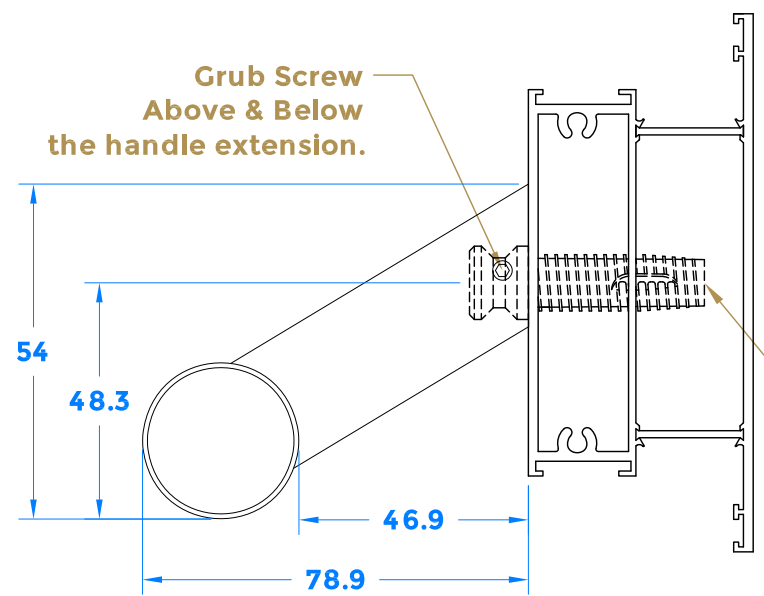
Section A-A



FX-10030-BLU Secret Fix for Aluminium Fixing Bolts

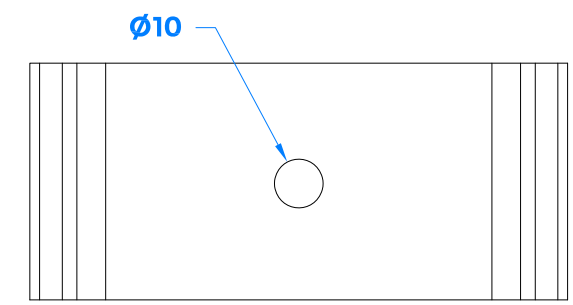


1 x ALLEN KEY FOR GRUB SCREW



Grub Screw Above & Below the handle extension.

Do NOT drill this hole any larger than 11mm.



Fixing Grommet screws into the door, drill a 10mm hole into the door making sure the 6mm allen key hex side is facing out as this is what you use to tighten up the grommet.

6mm allen key is not provided.

Assembled View (Secret Fix)

coastal-group.com
Shaping the future.
COASTAL

Part Number / Drawing Title:
HAB66-400-SA-SSS - BLU Offset Round 'T' Bar Pull Handle

Product Range:
Pull Handles

Material: 316 Stainless Steel

Additional Info: For use on Aluminium sliding doors

Date Drawn: 11/11/2021

Drawn By: Phillip Walklett

Part Number: HAB66-400-SA-SSS

File Name: HAB66-400-SA-SSS.dwg

Revision: A

Drawing Scale: Not to Scale

Sheet Number: 1 of 1

THIRD ANGLE PROJECTION

This drawing and specification are the property of Coastal Specialist Ironmongery Ltd, they are issued in strict confidence and shall not be reproduced, copied or used without written permission.
 EAOE - All dimensions are specified in mm.