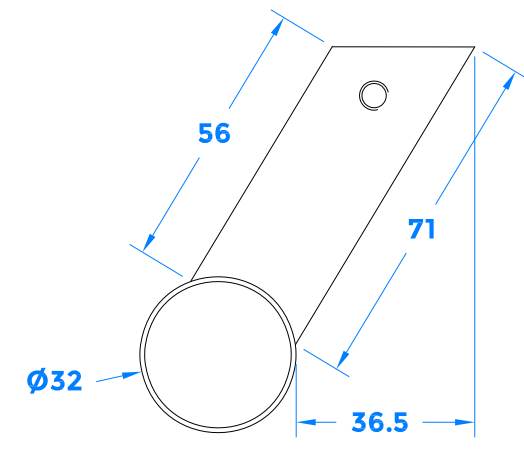
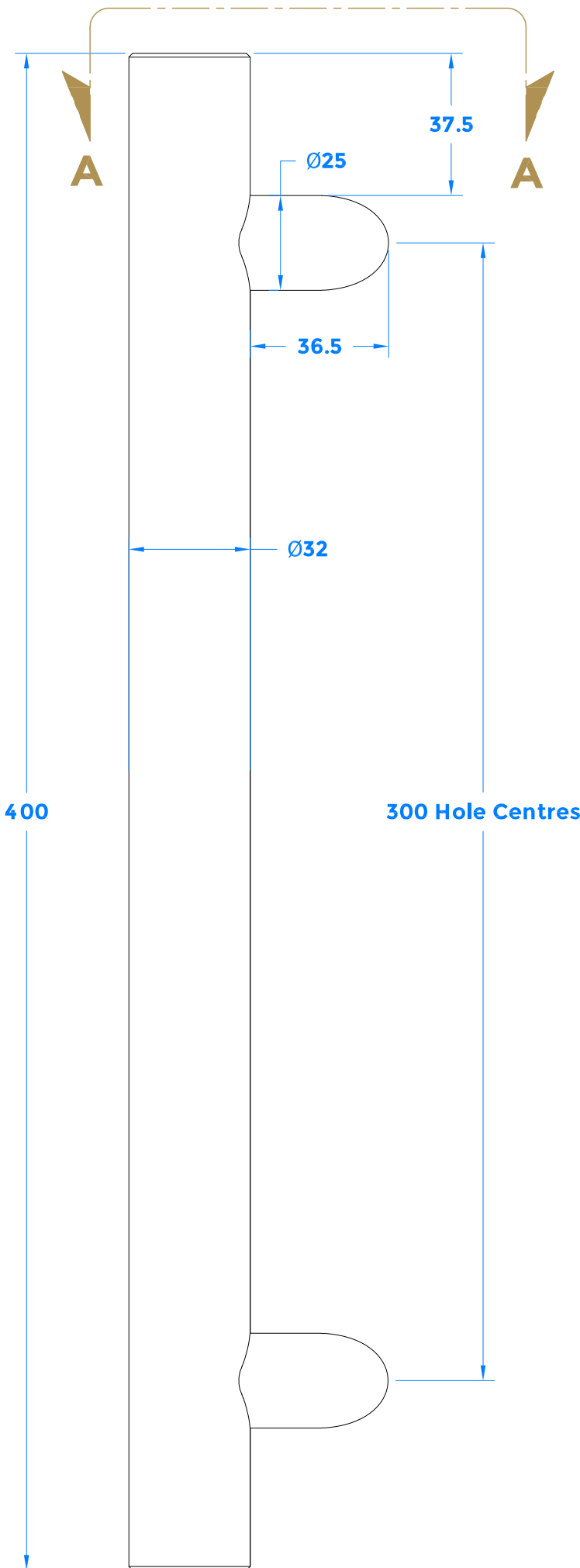
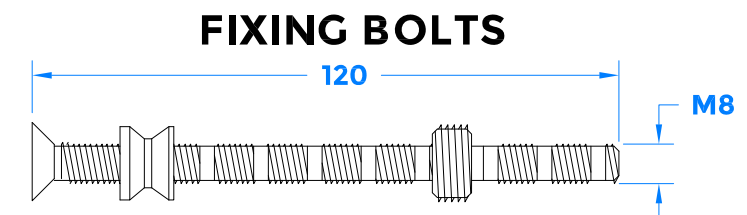


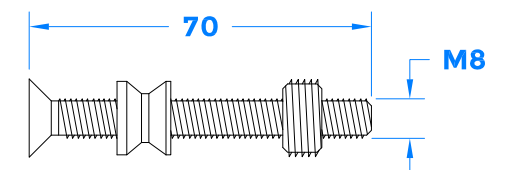
Drawing Revision History		
Revision	Description / Change	Date
A	Release	11/11/2021



Section A-A



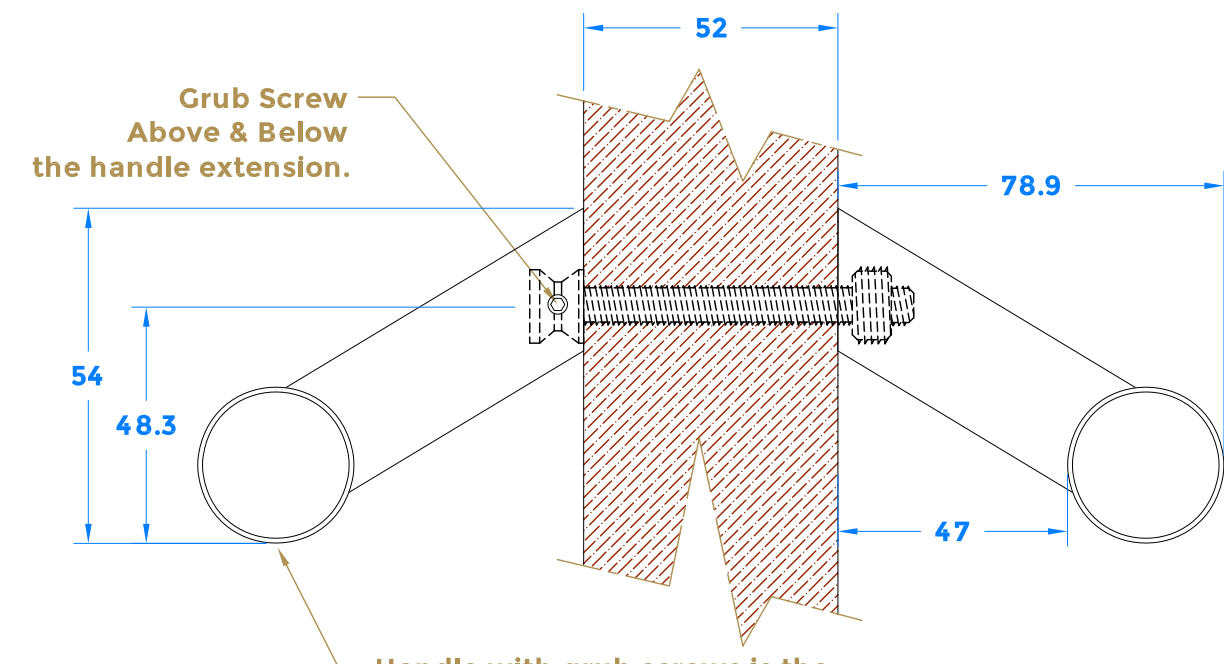
FIXING BOLTS
To suit up to 90mm thick doors.



To suit up to 44mm thick doors.



1 x ALLEN KEY FOR GRUB SCREW



Grub Screw Above & Below the handle extension.

Handle with grub screws is the internal handle.

Inside

Outside

Assembled View (Back to Back)

coastal-group.com
Shaping the future.

COASTAL

Part Number / Drawing Title:
HAB66-400-BB-SSS - BLU Offset Round 'T' Bar Pull Handle

Product Range:
Pull Handles

Material: 316 Stainless Steel

Additional Info: For use on Aluminium sliding doors

Date Drawn: 11/11/2021

Drawn By: Phillip Walklett

Part Number: HAB66-400-BB-SSS

File Name: HAB66-400-BB-SSS.dwg

Revision: A

Drawing Scale: Not to Scale

Sheet Number: 1 of 1

THIRD ANGLE PROJECTION

This drawing and specification are the property of Coastal Specialist Ironmongery Ltd, they are issued in strict confidence and shall not be reproduced, copied or used without written permission.
EAOE - All dimensions are specified in mm.