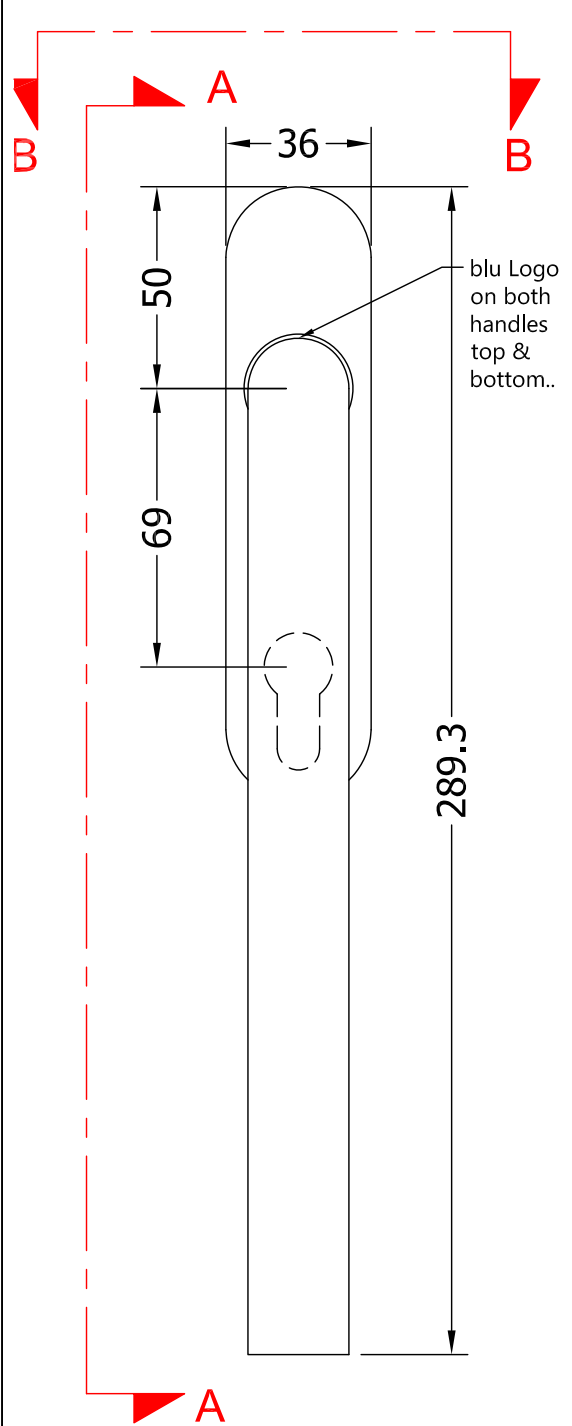


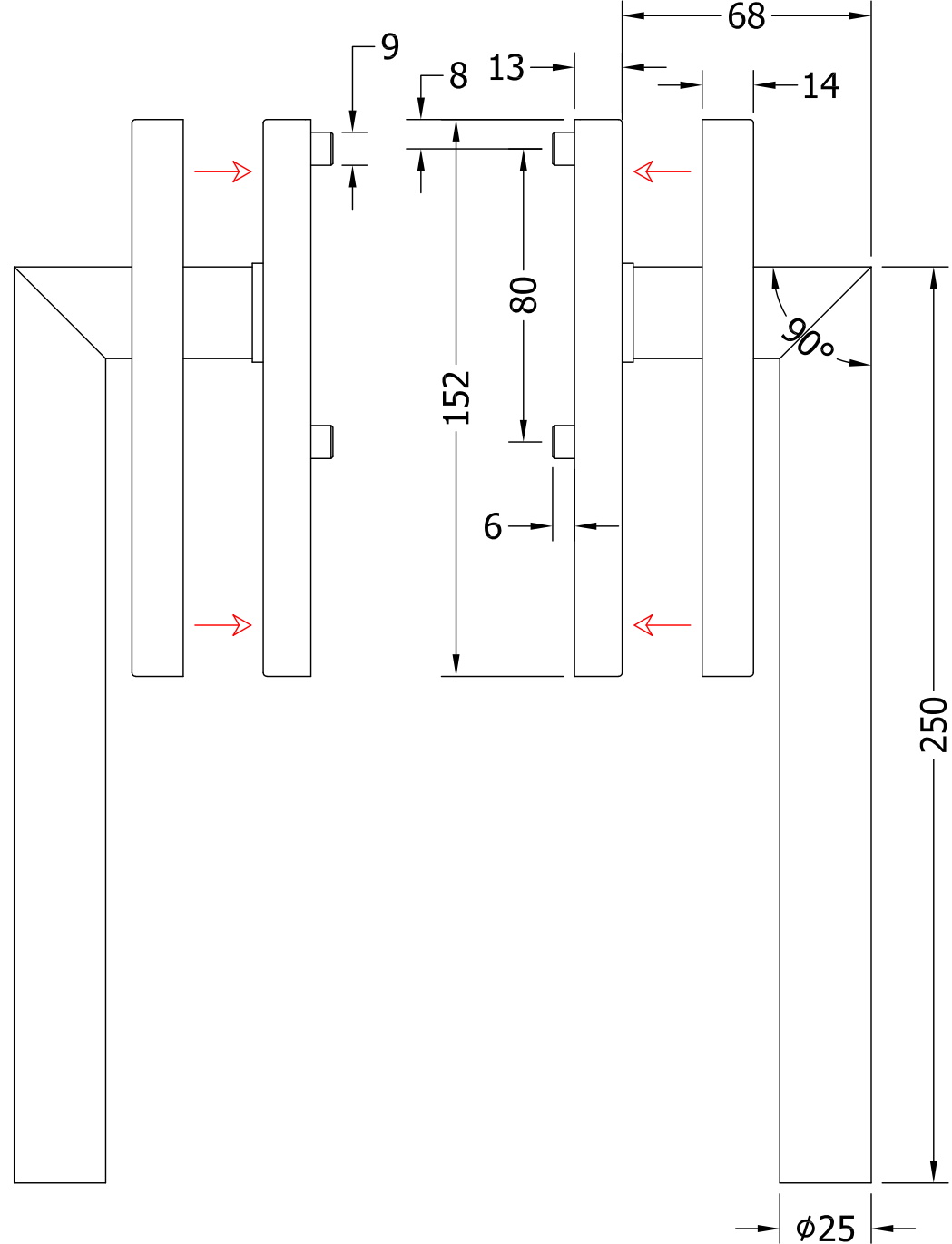
While every attempt has been made to ensure the accuracy and completeness of the information in this document some typographical or technical errors may exist. Blu Performance cannot accept responsibility for customers' losses resulting from the use of this document. Please also note that this drawing / design is subject to change without prior notice in accordance with our policy of continual product development. This drawing / design contains proprietary information that is protected by copyright and is property of Blu Performance. Blu Performance is at the leading edge in joinery hardware, customer care and quality are at the core of everything we do, you can be confident that a call to Blu will be the only call you need for all your joinery hardware needs.

Revision History				
Revision	Description	DRFT	CHK	Date
A	Release.	PW	BD	15/2/16
B	Changed Spindle Length to 115mm	PW	BD	26/11/19

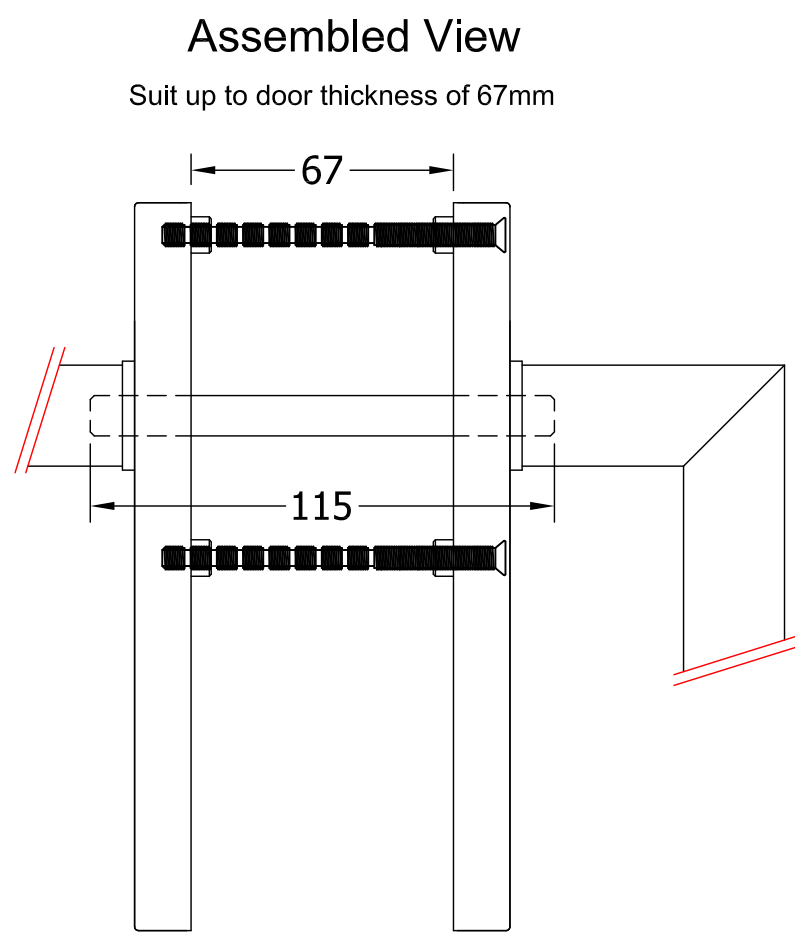


blu Logo on both handles top & bottom..

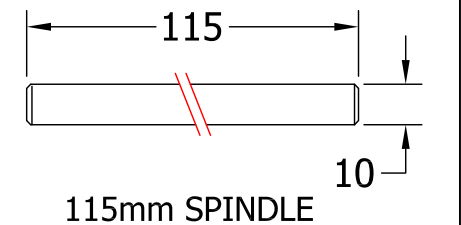
BACK to BACK HANDLE



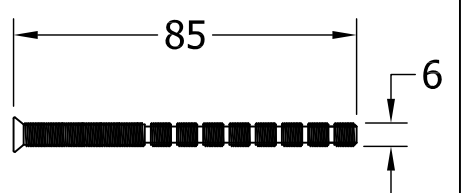
Section A-A



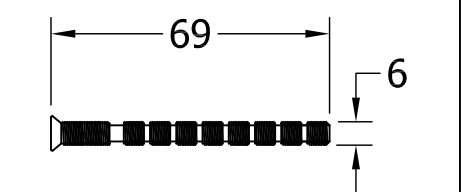
Assembled View
Suit up to door thickness of 67mm



115mm SPINDLE



2 x MACHINE SCREWS
SUITS 67mm THICK DOORS



2 x MACHINE SCREWS
SUITS 51mm THICK DOORS

WHATS INCLUDED IN THE BOX	
QTY	DESCRIPTION
1	INTERNAL LEVER HANDLE
1	EXTERNAL LEVER HANDLE
2	85mm MACHINE SCREWS
2	69mm MACHINE SCREWS
1	115mm SPINDLE

blu Performance in Motion
Global House
Bojea Industrial Estate
Trethowel, St Austell
Cornwall, PL25 5RJ
t | 01726 871025 f | 01726 871731
e | sales@blu-performance.com
w | www.blu-performance.com

Customer Reference:

blu Performance

Drawing Title:
**Back to Back Lift & Slide Handle
Universal - Non Handed**

Product Range / Project Reference
KM780-316-SSS

Other Information: 316 Satin Stainless Steel

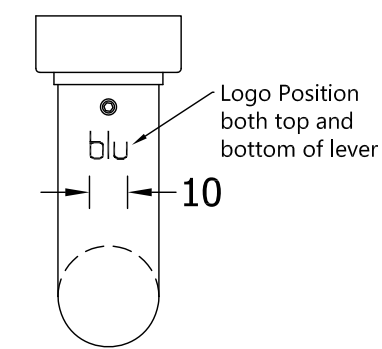
Date Drawn: 26/11/2019

Drawn By: Phil Walklett

Drawing Number: **BP-KM780-316-SSS.dwg** Revision: **B**

THIRD ANGLE PROJECTION
This drawing and specification are the property of Coastal Group, they are issued in strict confidence and shall not be reproduced, copied or used without written permission.

Scale: NONE Sheet: 1 of 1



Section B-B