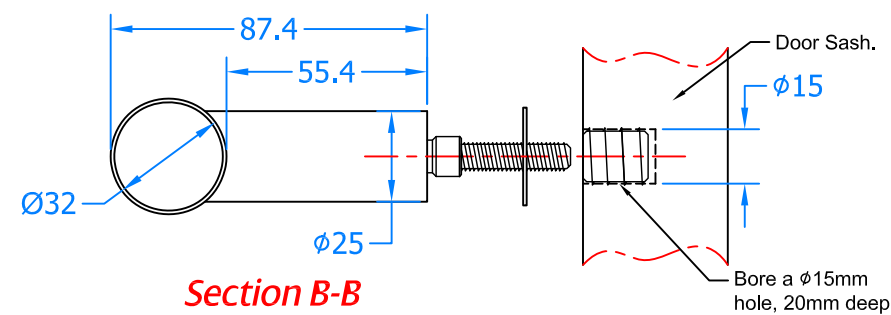
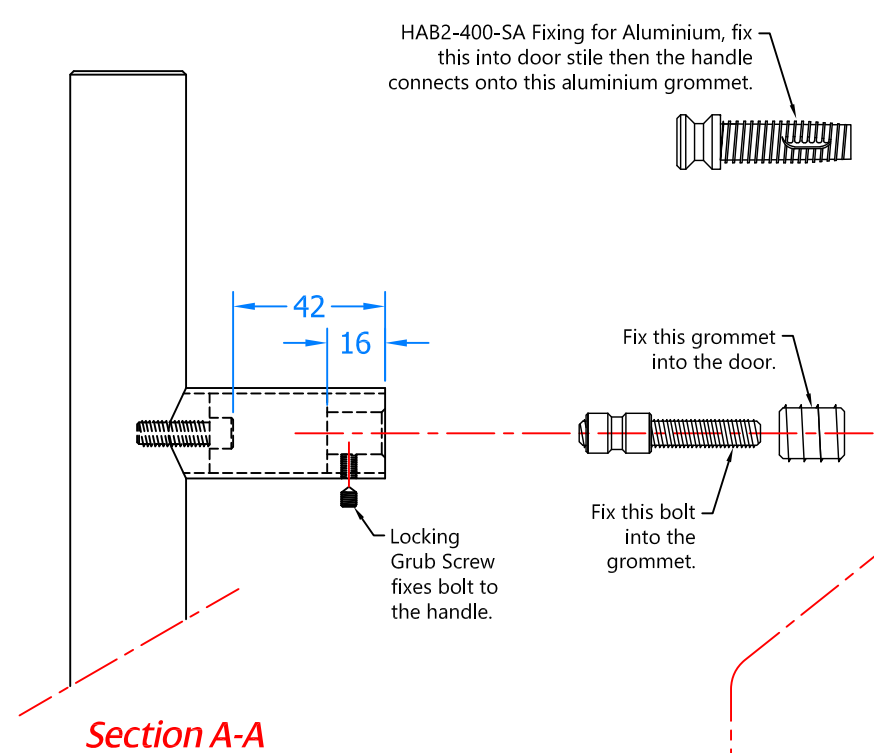
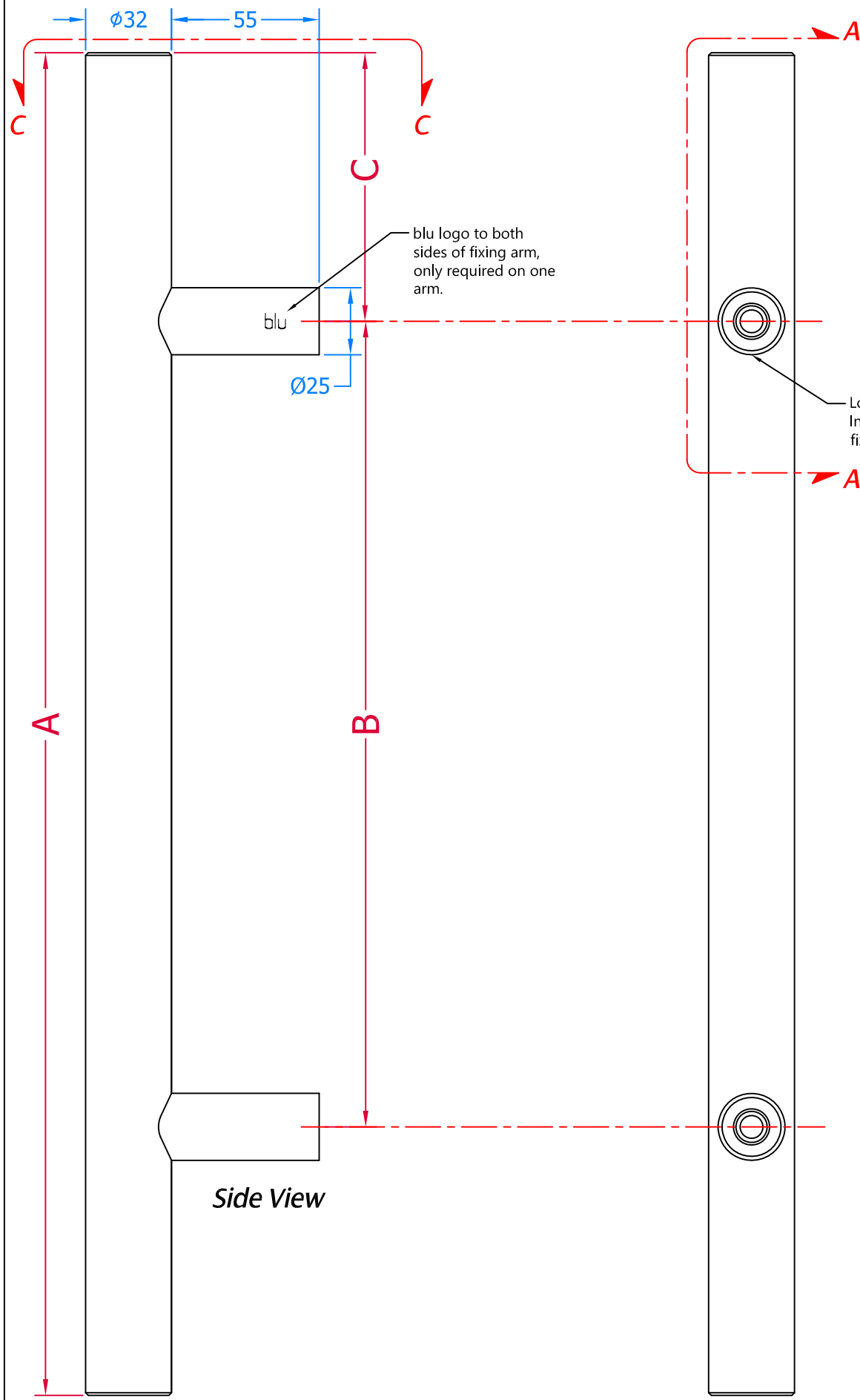
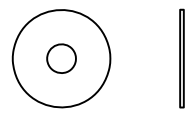
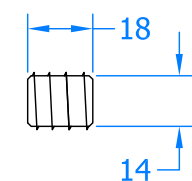
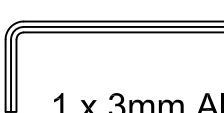
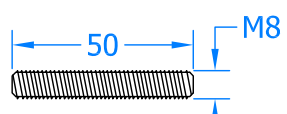
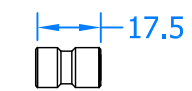


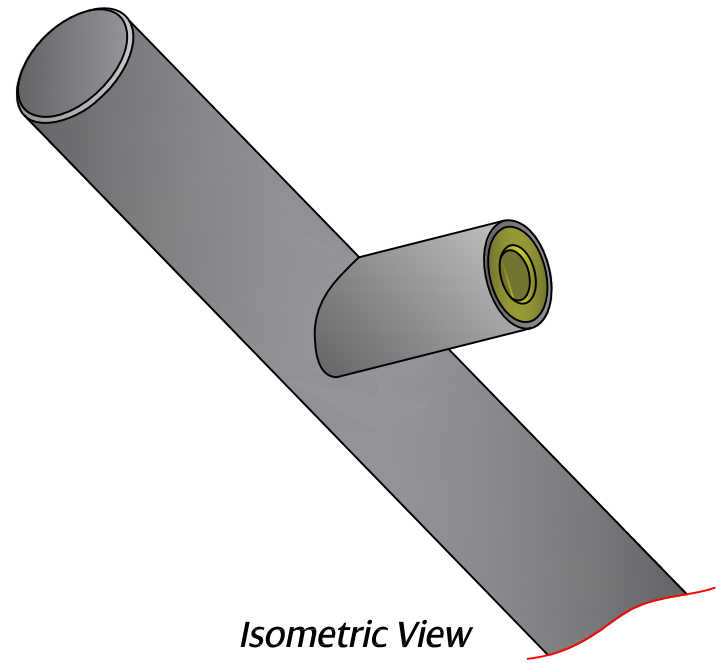
This drawing and specification are the property of Coastal Specialist Ironmongery Ltd. They are issued in strict confidence and shall not be reproduced, copied or used without written permission.

REVISION HISTORY				
Revision	Description	DRFT	CHK	Date
A	Release	PW	BD	04/02/19



-  2 x Metal Washers
-  Fixing Grommet
-  1 x 3mm Allen Key
-  2 x Threaded Bar
-  Fixing Sleeves

FX-10030-BLU Secret Fix for Aluminium Doors (HAB2-400-SA) Only
Requires a Ø10mm Hole to fix.



Part Number	Length (A)	Centre (B)	Distance (C)
*HAB2-400-SA	400mm	300mm	50mm
HAB2-600-SF	600mm	400mm	100mm
HAB2-900-SF	900mm	700mm	100mm
HAB2-1200-SF	1200mm	1000mm	100mm
HAB2-1500-SF	1500mm	1300mm	100mm
HAB2-1800-SF	1800mm	1600mm	100mm

*HAB2-400-SA - This has a special fixing designed for aluminium doors (FX-10030-BLU).



Global House
Bojea Industrial Estate
Trehowel, St Austell
Cornwall, PL25 5RJ

t | 01726 871724
f | 01726 871731
sales@blu-performance.com
www.blu-performance.com

blu™ Performance

Drawing Title:
HAB2 - Round 'T' Bar Pull Handle Secret Fixing Method

Product Range:
Stainless Steel Pull Handles

Additional Info:

Date Drawn: 04/02/2019
Drawn By: Phil Walklett
Part Number: HAB2-(SIZE)-SF-SSS
File Name: BP-HAB2-SF-SSS.dwg
Revision: A
Drawing Scale: Not to Scale
Sheet Number: 1 of 1

THIRD ANGLE PROJECTION

 This drawing and specification are the property of blu Performance, they are issued in strict confidence and shall not be reproduced, copied or used without written permission.