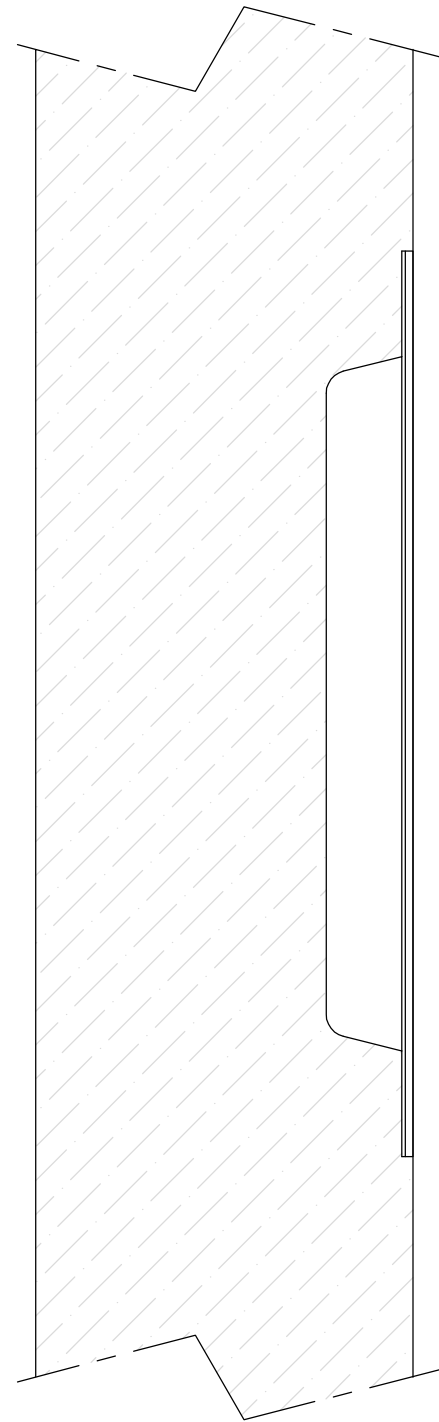
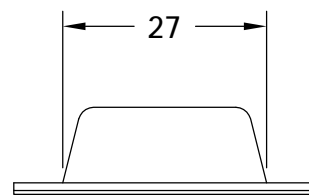
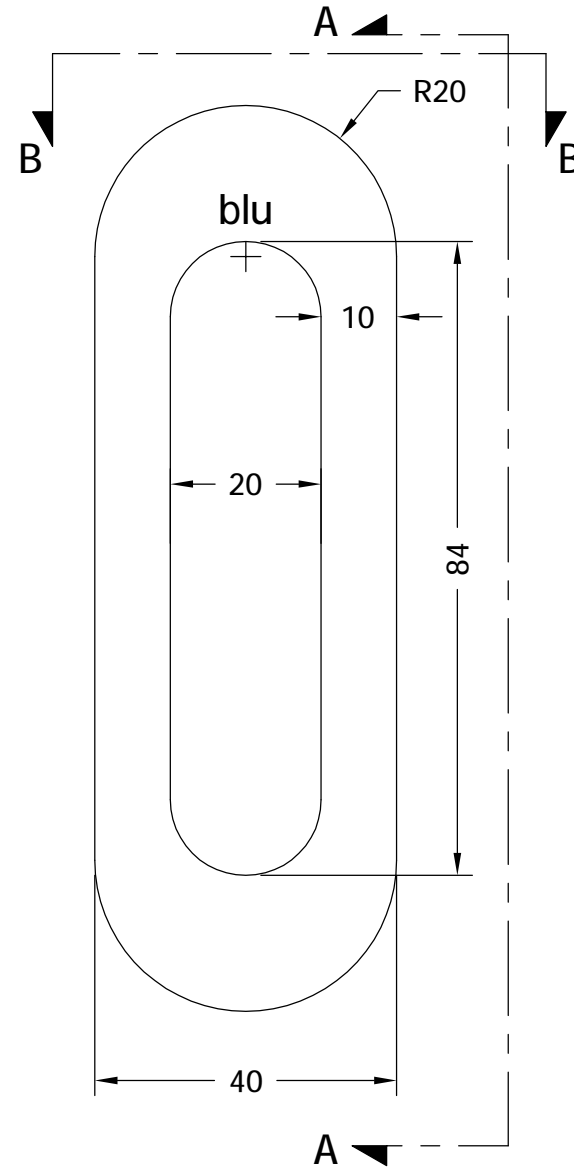


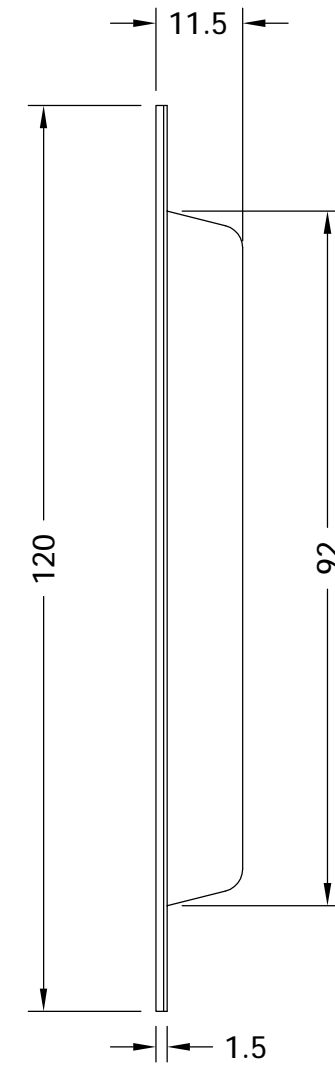
While every attempt has been made to ensure the accuracy and completeness of the information in this document some typographical or technical errors may exist. Blu Performance cannot accept responsibility for customers' losses resulting from the use of this document. Please also note that this drawing / design is subject to change without prior notice in accordance with our policy of continual product development. This drawing / design contains proprietary information that is protected by copyright and is property of Blu Performance. Blu Performance is at the leading edge in joinery hardware, customer care and quality are at the core of everything we do, you can be confident that a call to Blu will be the only call you need for all your joinery hardware needs.



Assembled View


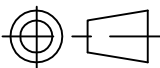


Section B-B



Section A-A

WHAT'S INCLUDED IN THE BOX	
QTY	DESCRIPTION
1	FLUSH PULL

		Global House Bojea Industrial Estate Trethowel, St Austell Cornwall, PL25 5RJ t 01726 871025 f 01726 871731 e sales@blu-performance.com w www.blu-performance.com
Customer Reference:		
blu Performance		
Drawing Title: 120 x 40mm Radiused End Flush Pull 316 Stainless Steel		
Product Range / Project Reference FP150		
Other Information: Suits any door thickness		
Date Drawn: 07/07/2016		
Drawn By: Phil Walklett		
Drawing Number: BP-FP150.dwg		Revision: A
THIRD ANGLE PROJECTION 		This drawing and specification are the property of Coastal Group, they are issued in strict confidence and shall not be reproduced, copied or used without written permission.
Scale: 1:1 @ A3		Sheet: 1 of 1