

AFFINITY 3D HINGE

SUITABLE FOR UPVC & DOUBLE REBATE COMPOSITE DOORS

AFFINITY



White (WH)



Cream (CR)



Black (BL)



Anthracite Grey (GR)



Brown (BR)



Tan (TN)



Champagne Gold (CG)



Chrome (CH)



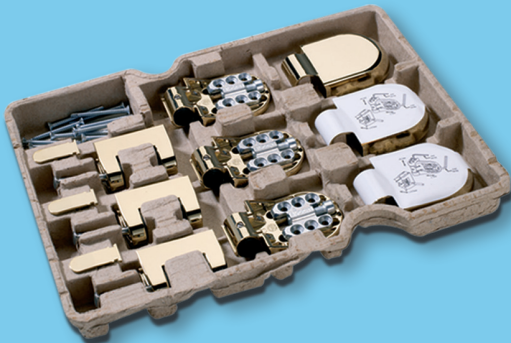
Satin Chrome (SC)



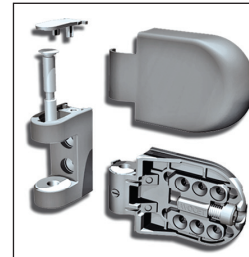
Flint (FL)



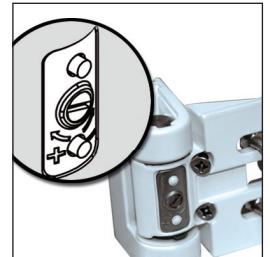
1 TRAY - 1 DOOR
QUICK & EASYPART SELECTION



PROTECTIVE COVER WITH
ADJUSTMENT GUIDE



ONLY 4 PARTS
INSTALLS IN HALF
THE TIME



EASY COMPRESSION
ADJUSTMENT



Technical Information

Assessment Data

Performance: Endurance tested to 100,000 operations, Load tested to 100kg on 3 hinges

Corrosion Resistance: All finishes meet requirements of BS EN 1670:2007 - grade 5 (480 hrs Salt Spray)

Material Specifications

Hinge Leaf, Carriage Plate &

Body: Zinc Alloy BS1004A

Top/Bottom Bush: Nylon 6

Pins: Stainless Steel

Powder Coating: White, Black, Brown & Caramel, 60 microns minimum coating thickness

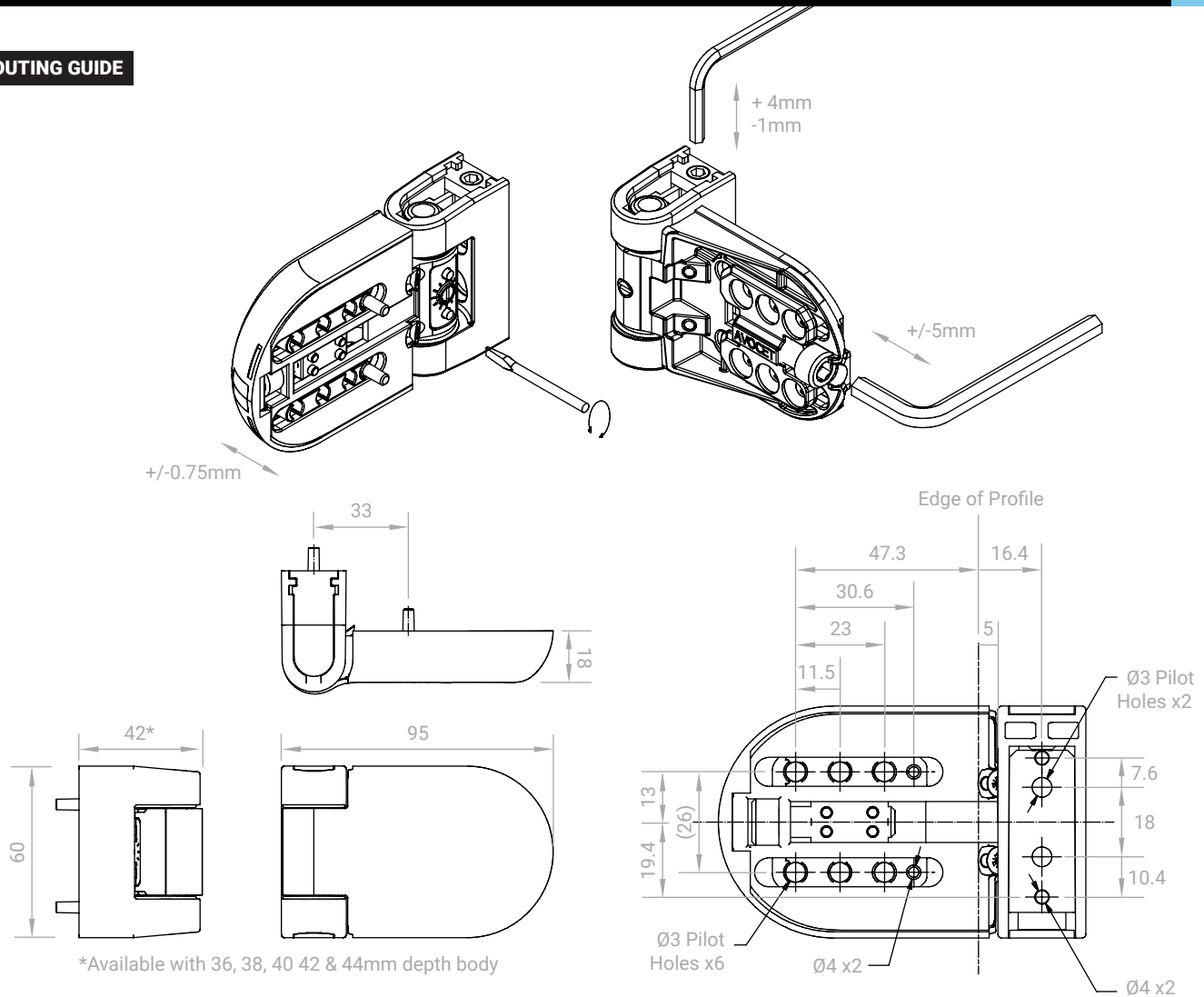
PVD/Chrome Coating: Champagne Gold/Chrome/Flint, multiple layer plating process

Additional Information

Box Quantity: 9

- The fast fit Affinity 3D hinge perfectly suited with the Affinity range of window & door furniture
- To suit rebate heights of 18mm - 25mm
- 4 Parts only, no packers or shims required
- Encapsulated butt design to ensure ease of installation
- Independent easy compression adjustment
- Available in White, Cream, Anthracite Grey, Black, Brown, Caramel, Champagne Gold, Chrome, Satin Chrome & Flint
- Colour coded caps - no plastic inserts
- Fabricator friendly pack layout - one tray, one door; takes less than half the time to install as a standard 3D flag hinge*
- Adjustment instructions on protective pro-tape label

ROUTING GUIDE



*Available with 36, 38, 40 42 & 44mm depth body

AFFINITY	AFFINITY	FINISH	UPSTAND OPTIONS (mm) (ADD ONE OPTION TO CODE)							
			18	19	20	21	22	23	24	25
DNAF	PNAF	WH	18	19	20	21	22	23	24	25
DNAF	PNAF	CR	18	19	20	21	22	23	24	25
DNAF	PNAF	BL	18	19	20	21	22	23	24	25
DNAF	PNAF	GR	18	19	20	21	22	23	24	25
DNAF	PNAF	BR	18	19	20	21	22	23	24	25
DNAF		TN	18	19	20	21	22	23	24	25
DNAF	PNAF	CG	18	19	20	21	22	23	24	25
DNAF	PNAF	CH	18	19	20	21	22	23	24	25
DNAF		SC	18	19	20	21	22	23	24	25
DNAF	PNAF	FL	18	19	20	21	22	23	24	25
DNAF		BN	18	19	20	21	22	23	24	25

Example: DNAFWH20 = White, 20mm Upstand

Cover Caps

FRAME SIZE (mm)	CODE
18-19	3DHINGE095
20-21	3DHINGE089
22-23	3DHINGE105
24-25	3DHINGE115
LEAF COVER	3DHINGE091

Note: All codes have a suffix relating to the colour required, i.e WH (White), CR (Cream), BL (Black), GR (Anthracite Grey), BR (Brown), TN (Caramel), CG (Champagne Gold), C (Satin Chrome), CH (Chrome), SC (Satin Chrome), FL (Flint), BN (Brushed Nickel)