

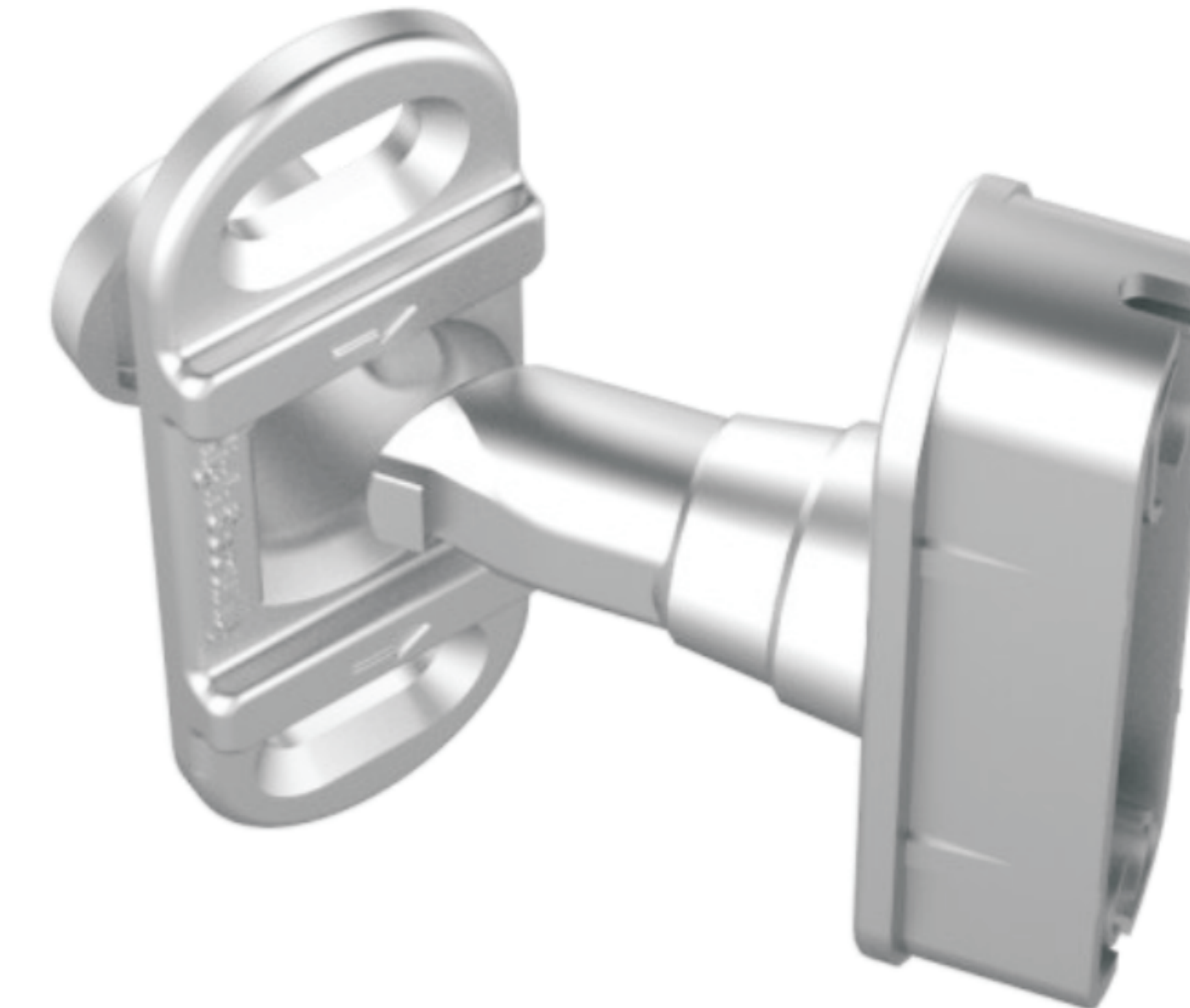
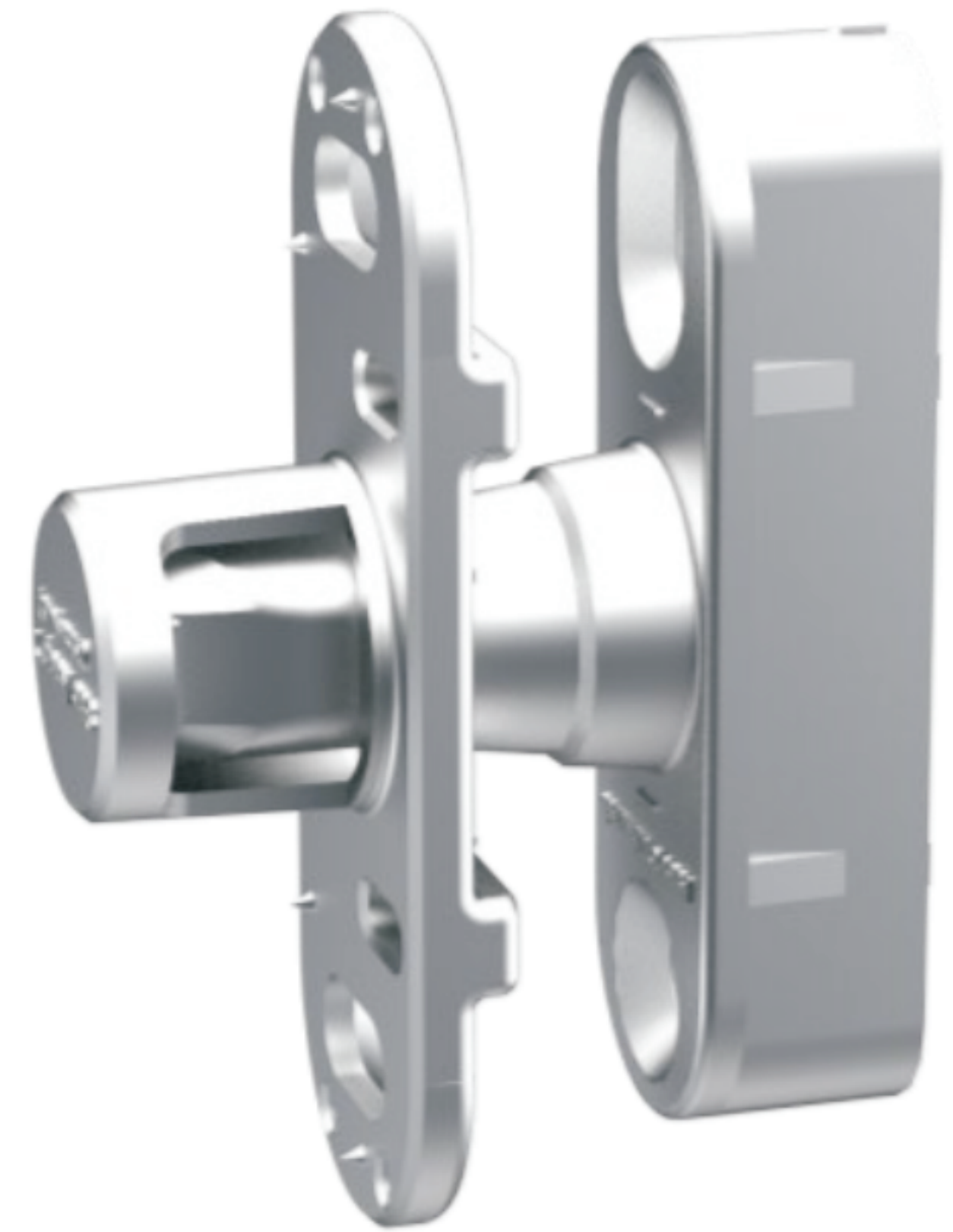
Introducing another first, the SAC Bolt & Keep™.

Unlike competitor systems the SAC Bolt and Keep hinge side security system incorporates patented new technology called ASL® (Anti Slip & Lock). This is a fantastic new interlocking mechanism designed to lock-out and become stronger when a window is under attack by intruders.

It's more than just security...

The SAC Bolt & Keep™ system is more than just a great security product. It's advantages for improving window performance are multi layered. Due to its ergonomic design the SAC Bolt & Keep system improves:

WINDOW GUIDANCE - ensuring a window returns each time to the prescribed position, thus extending the life of friction stays and windows as a whole.



WINDOW COMPRESSION - so that the optimum level of seal is constantly achieved, in turn helping reduce the home owner's carbon footprint by eliminating draughts and heat escape.

WINDOW SECURITY - which put simply is unmatched. Locks out when under attack as the resistance increases when greater force is applied.



The SAC Bolt & Keep™ is the only single product that can improve all round window performance, all year round. Bundles of advantages from such a simple idea.

Bolt & Keep™ Key Features.

- Improves security.
- Improves weather and sound insulation.
- Improves hinge reliability.
- Improves the closing operation of the window.
- Helps reduce home owner carbon footprint.
- Substantially improves the probability of achieving BS7950 enhanced window security endorsement.
- Approved by BBA for Cyclic (50,000 open & close) & Salt Spray Resistance Testing.
- A cost effective security upgrade, that can really make a difference.
- Consumers can immediately see the benefits.

