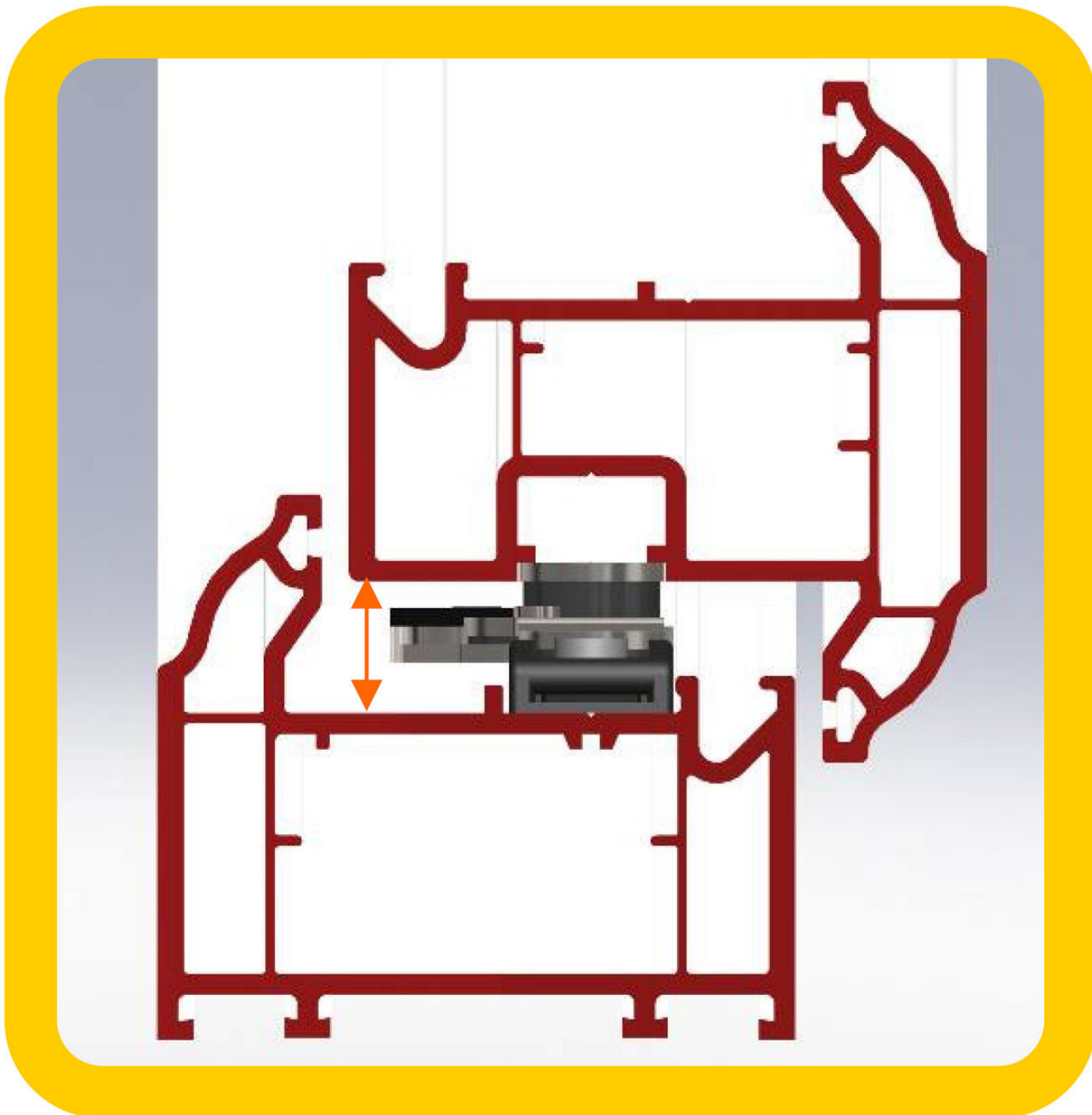
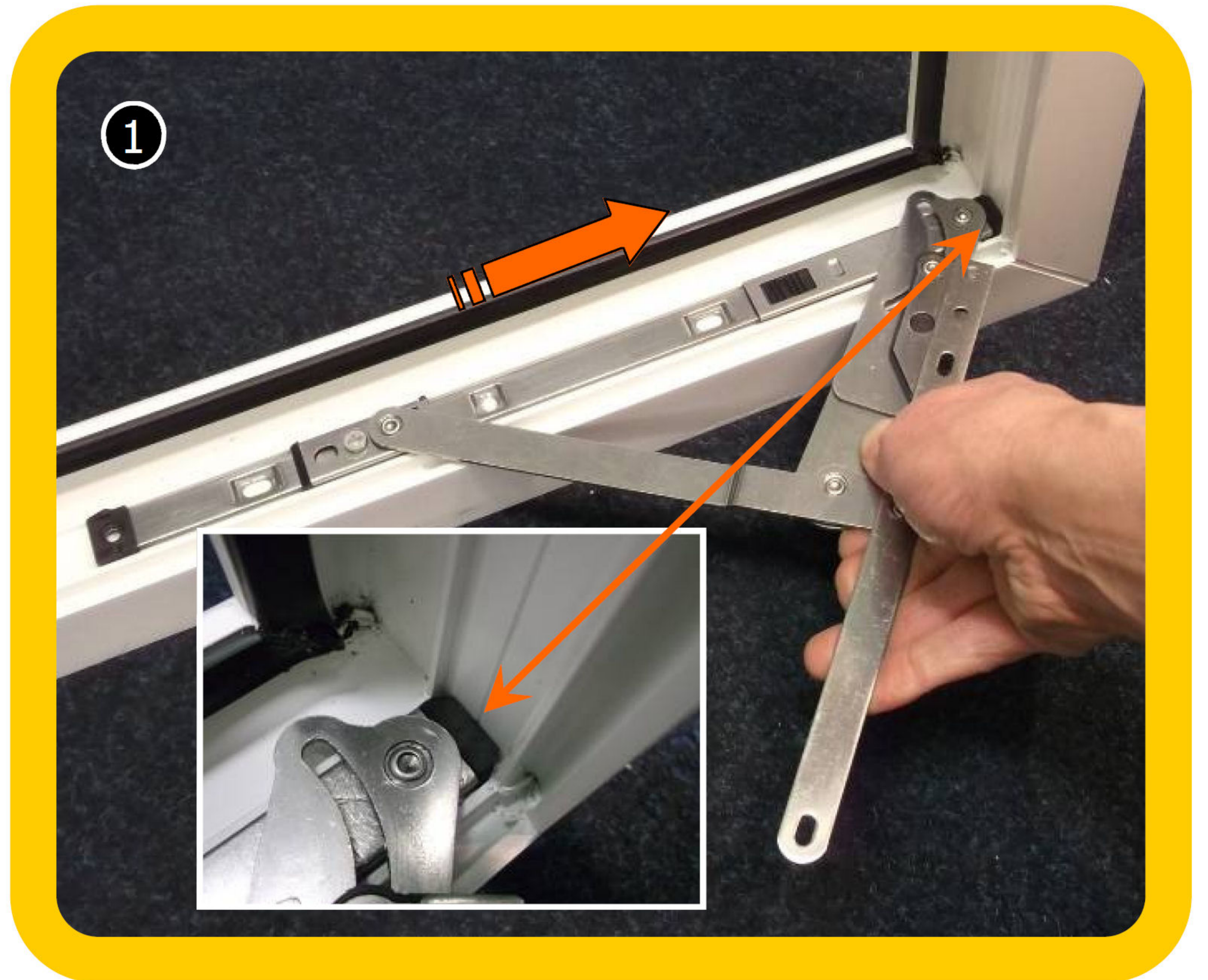


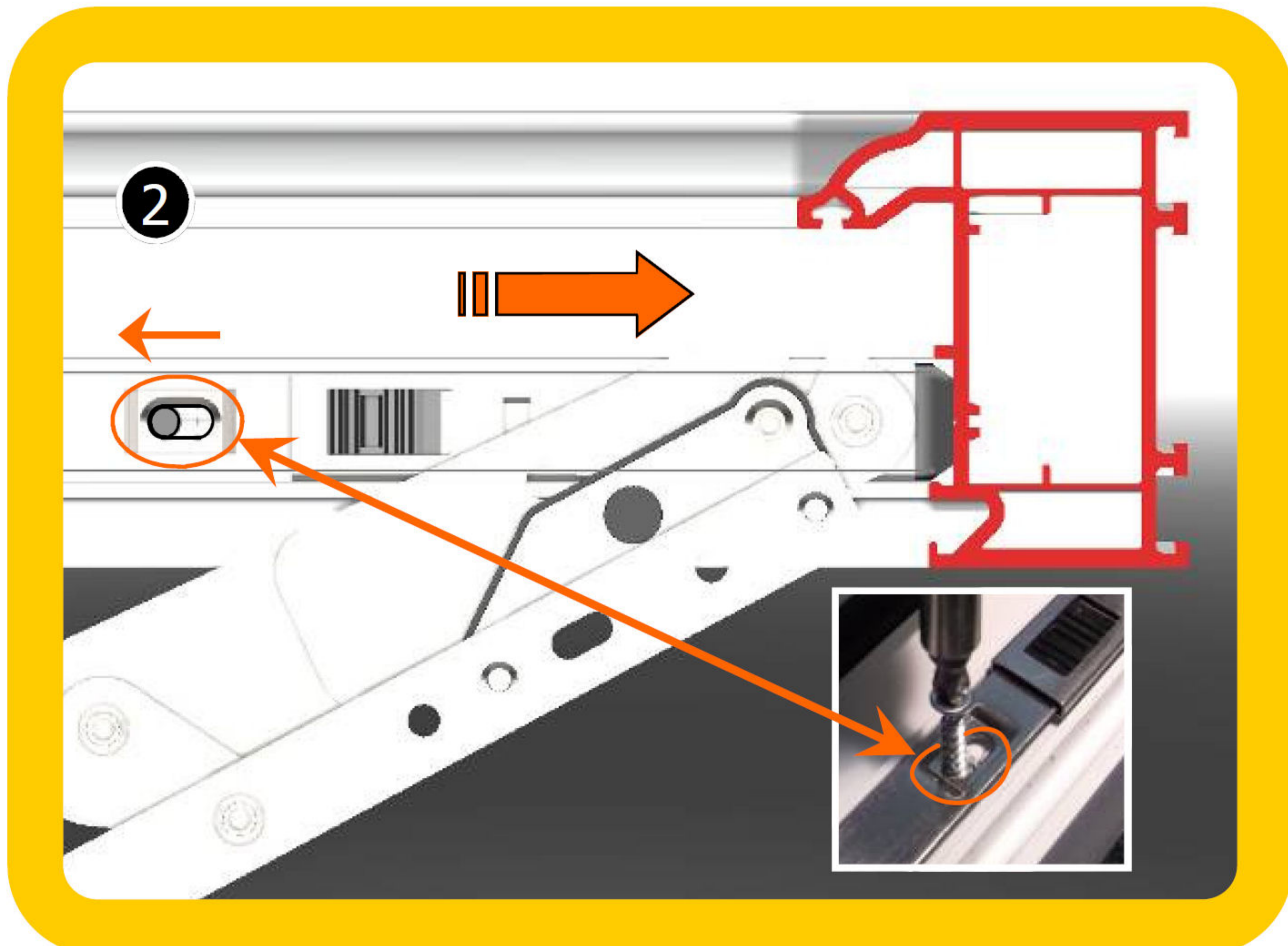
Fitting to Frame:



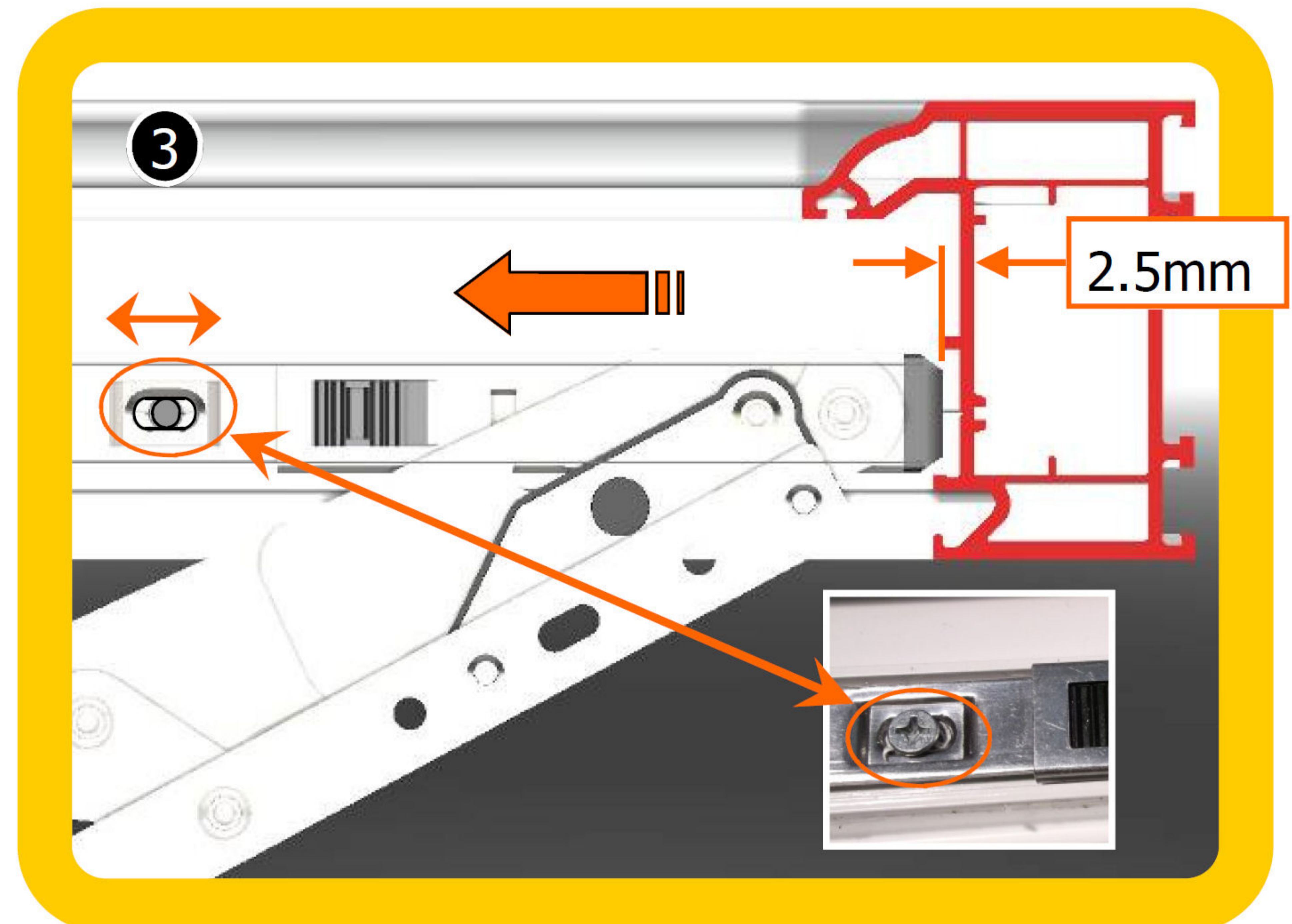
Typical fit into UPVC profile
Available stack heights: 13.5 and 16.5mm



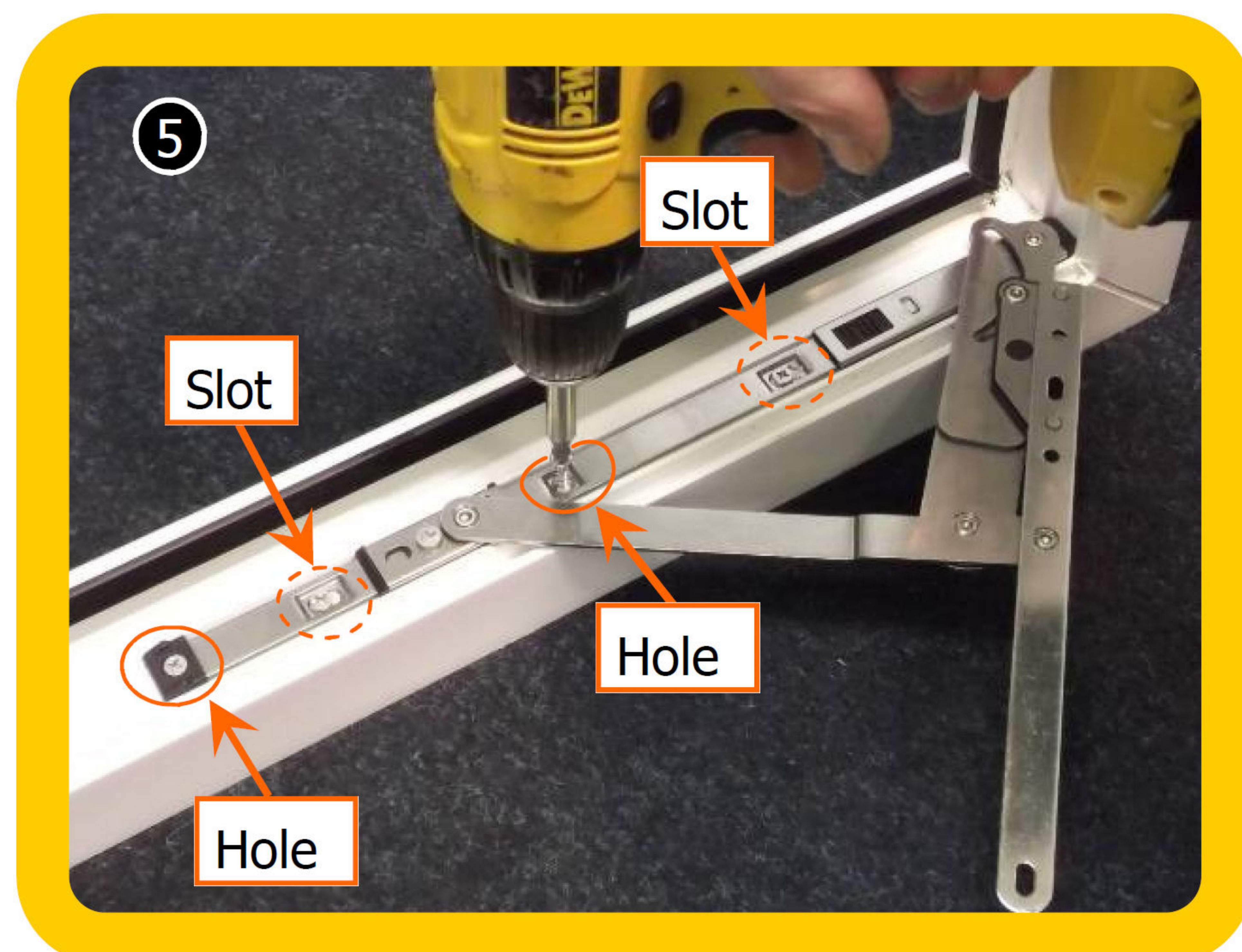
Place hinge onto Frame and push head of hinge into corner as shown.



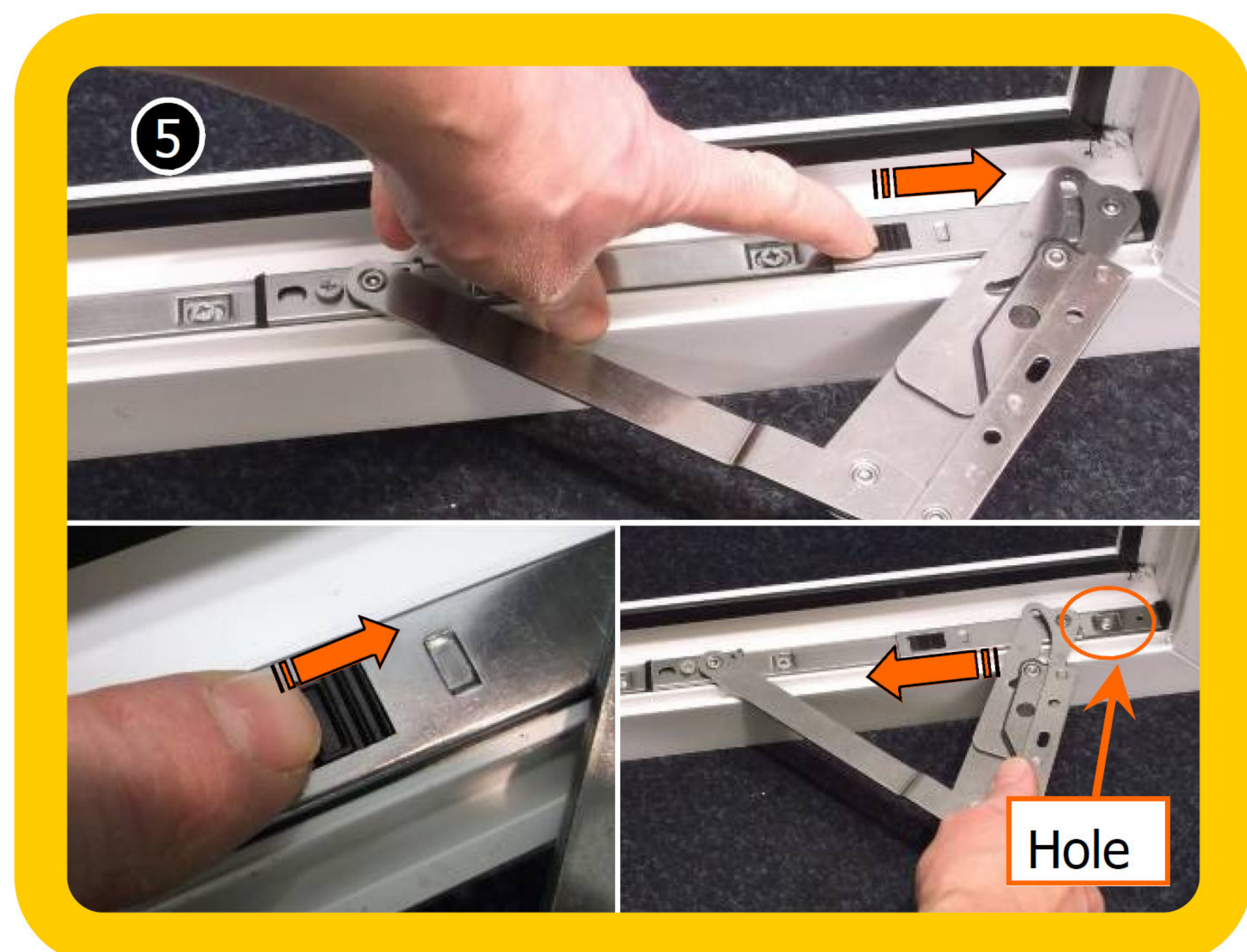
Insert suitable screws into 2 slots at end of slot furthest from head of hinge as shown



Slide hinge out so that screw is in centre of slot leaving 2.5mm for adjustment if required

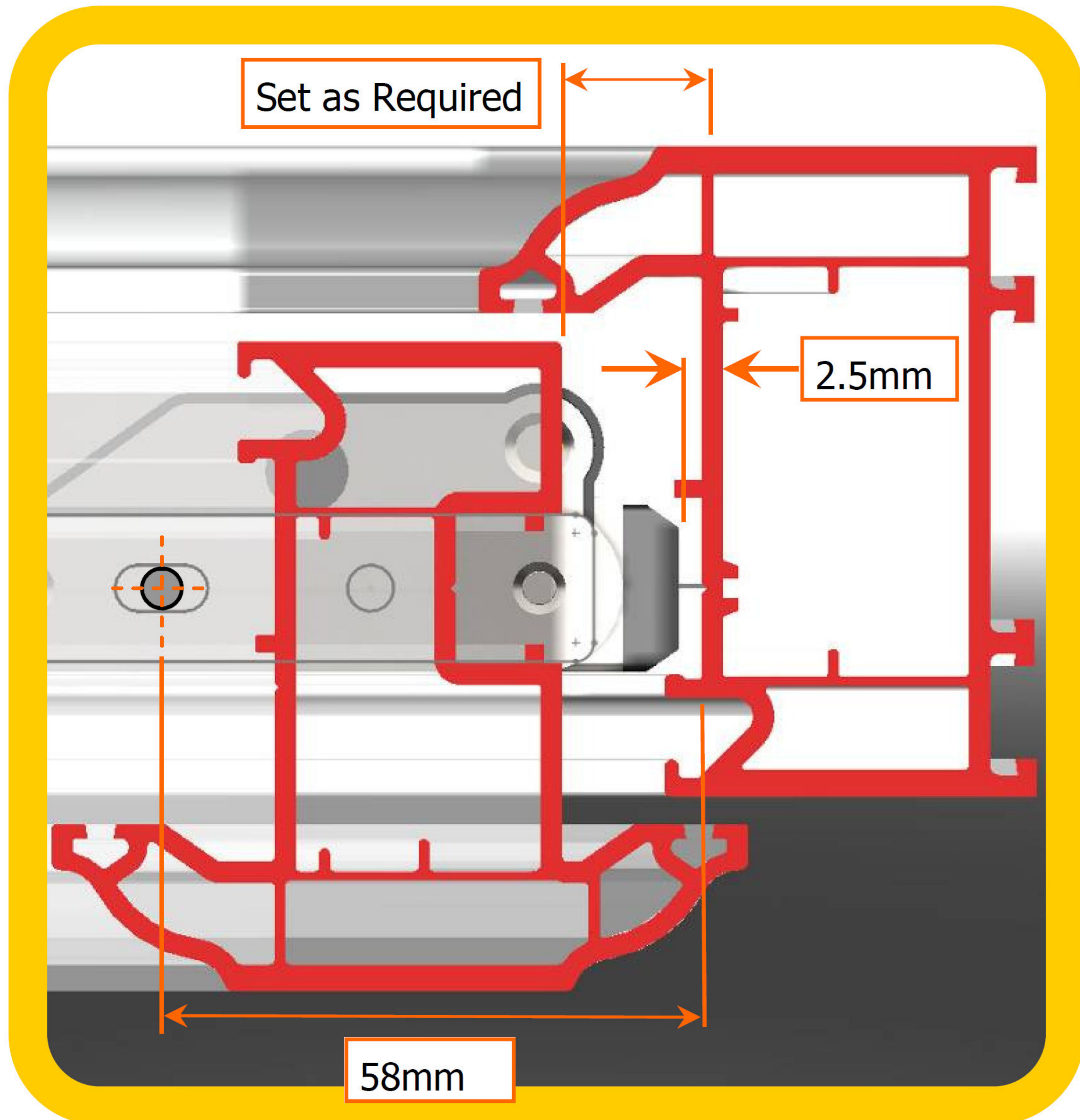


Insert suitable screws into 2 holes as shown

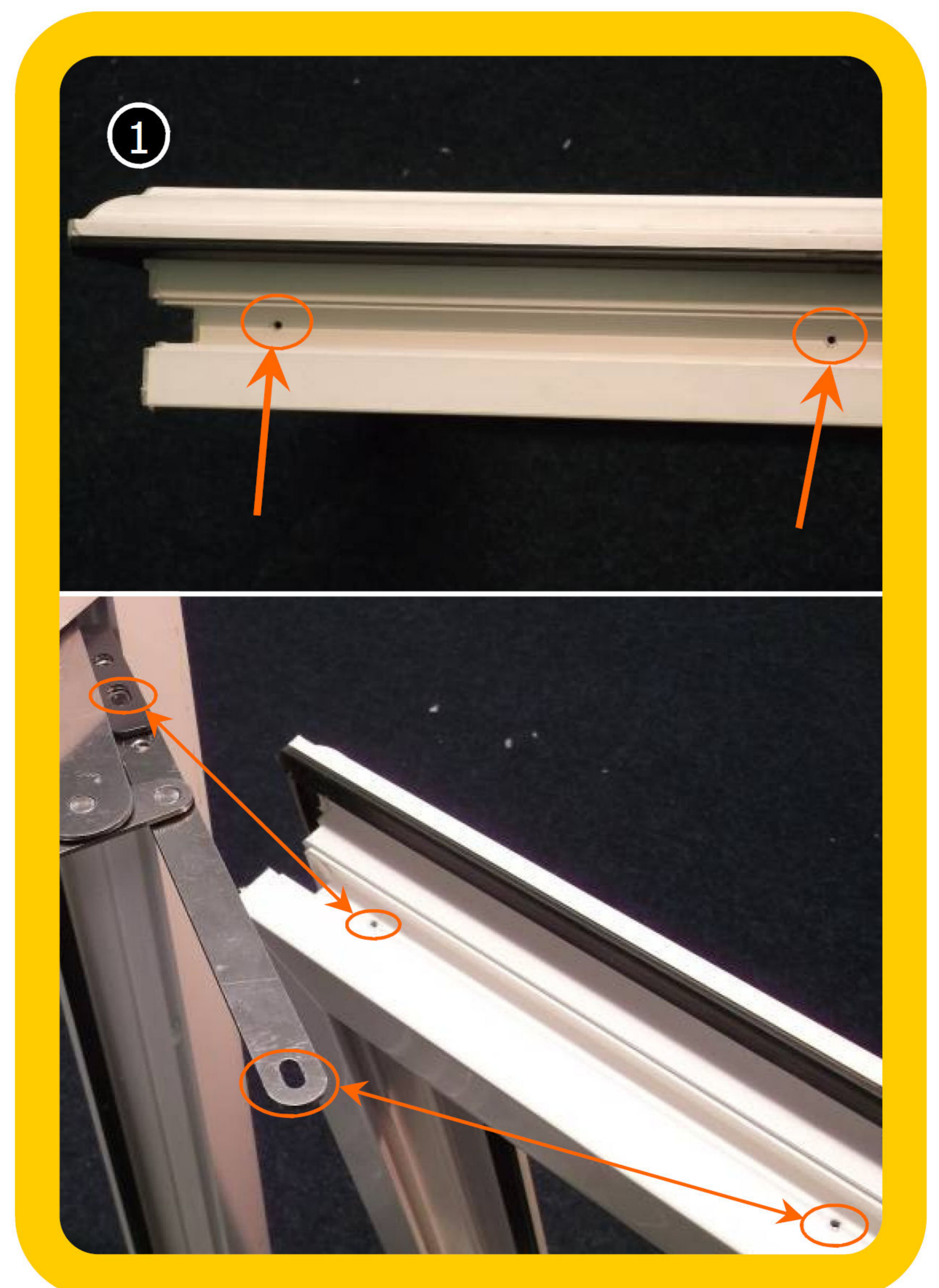


Slide "Easy Clean" activation button and move Top Slider until final screw position is exposed and insert screw

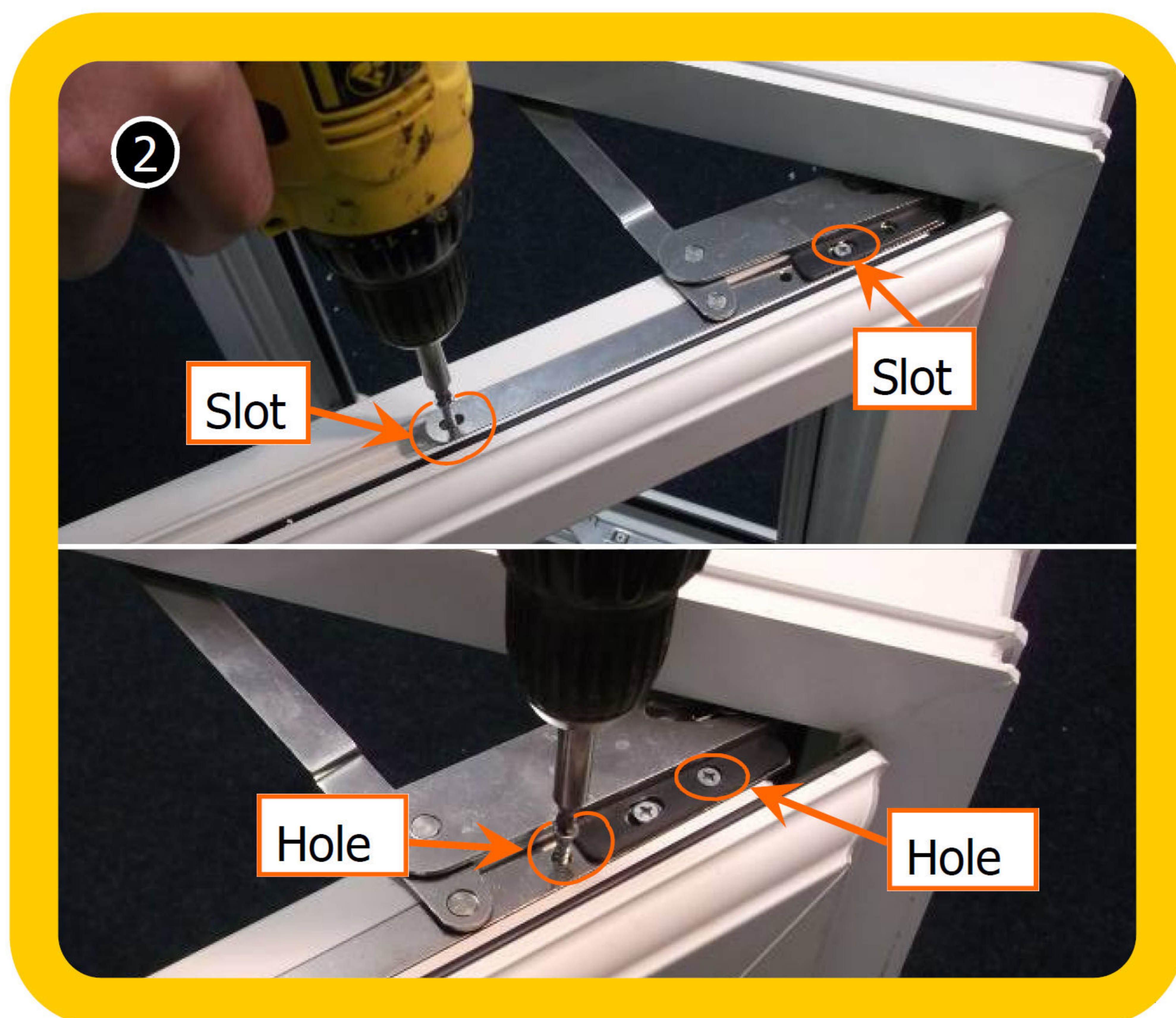
Fitting to Sash:



58mm is the distance from Frame to the middle of first slot on Sash.



It is recommended that pilot holes are pre drilled at the 2 Slot positions on Sash



Insert suitable screw into the 2 slots, make adjustments to Sash position if required. then insert screw into the 2 holes



To activate the "Easy Clean" mode push both black slide buttons (top and bottom) towards the corner and slide the Sash away from the corner